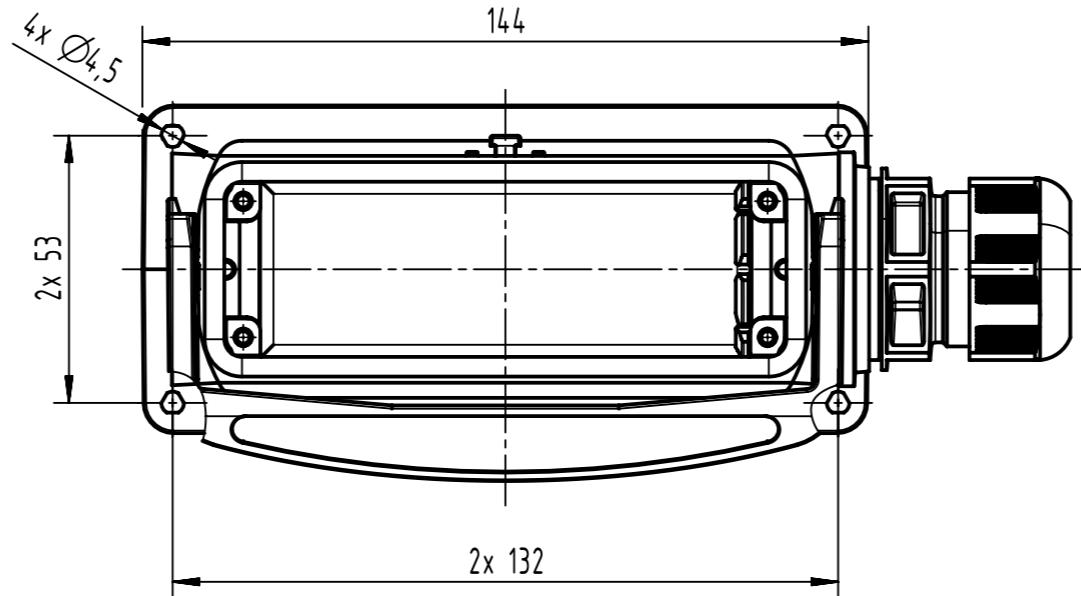
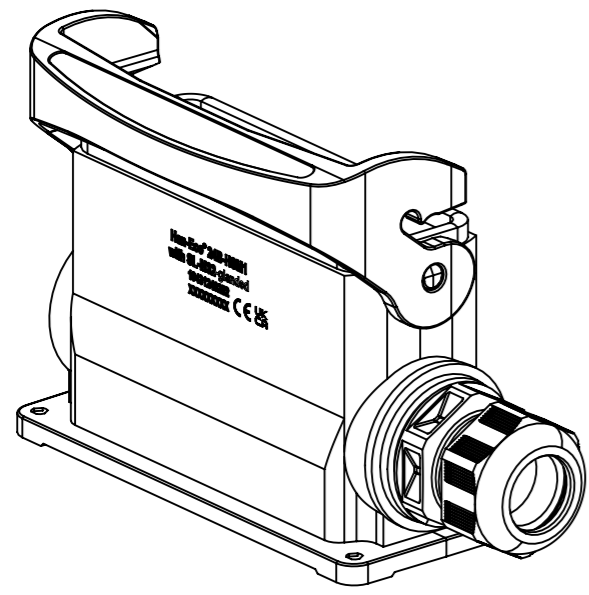
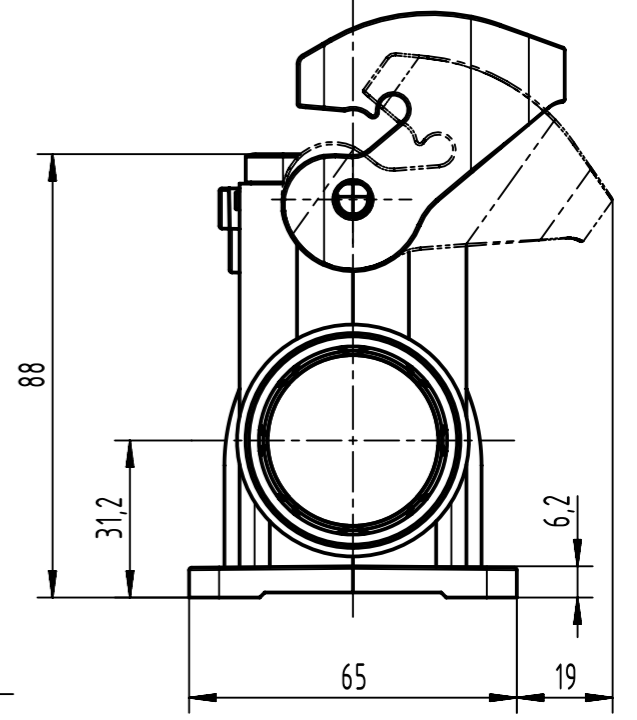
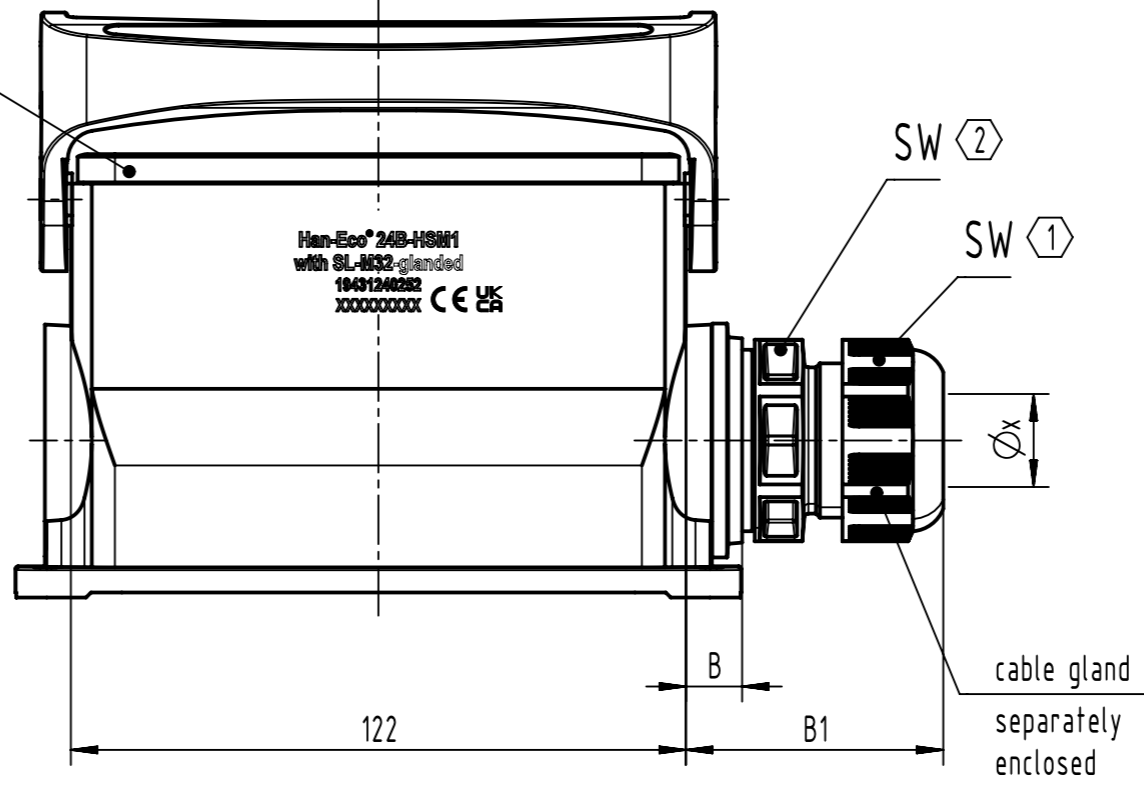


NBR seal



item 1-3 excluding cable gland

6	19431240253	Han-Eco 24B-HSM1-with SL-M40-glanded	25,2	77,9	46	16-28	20,0	20,0
5	19431240252	Han-Eco 24B-HSM1-with SL-M32-glanded	11,2	51,0	36	13-21	4,0	15,0
4	19431240251	Han-Eco 24B-HSM1-with SL-M25-glanded	11,2	47,6	29	9-17	4,0	10,0
3	19430240253	Han-Eco 24B-HSM1-with SL-M40	25,2	-	-	-	-	-
2	19430240252	Han-Eco 24B-HSM1-with SL-M32	11,2	-	-	-	-	-
1	19430240251	Han-Eco 24B-HSM1-with SL-M25	11,2	-	-	-	-	-
item	partnumber	partname	B	B1	SW	Øx	①	②
							tightening torque Nm	

	All rights reserved Department EL PD	All Dimensions in mm Original Size DIN A3		Scale 1:1,5	Free size tol.	Ref.
		Created by HOLLERT	Inspected by HERBRECHTSME	Standardisation	Date 2023-06-16	State Final Release
Title Han-Eco 24B-HSM1-with SL-Mxx-glanded						Doc-Key / ECM-Nr. 100732663/UGD/004/C 50000244851
HARTING D-32339 Espelkamp		Type TB	Number 19 43 X24 025X			Rev. C
						Page 1/1