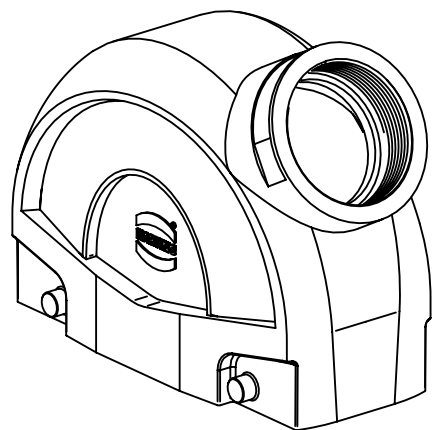
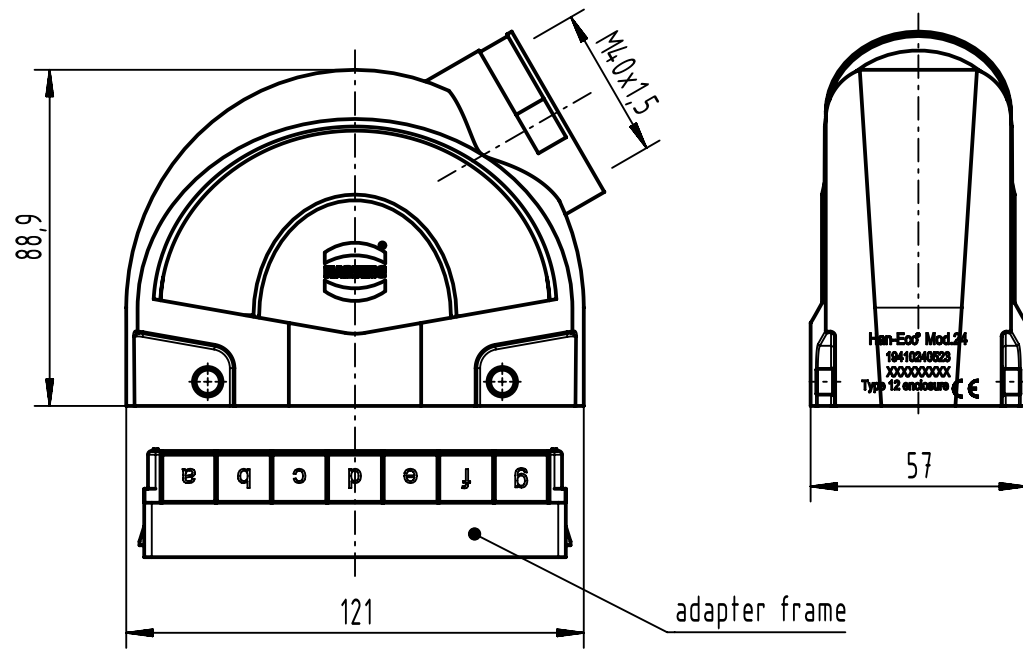


A

B

C

D



	All rights reserved Department EL PD	All Dimensions in mm Original Size DIN A4		Scale 1:2	Free size tol.	Ref.
		Created by BALSAN	Inspected by 402602	Standardisation 302077	Date 2021-02-22	State Final Release
HARTING D-32339 Espelkamp		Title Han-Eco Mod.24-HSE-M40			Doc-Key / ECM-Nr. 100186829/UGD/009/D 500000189756	
		Type TB	Number 19 41 024 0523		Rev. D	Page 1/1