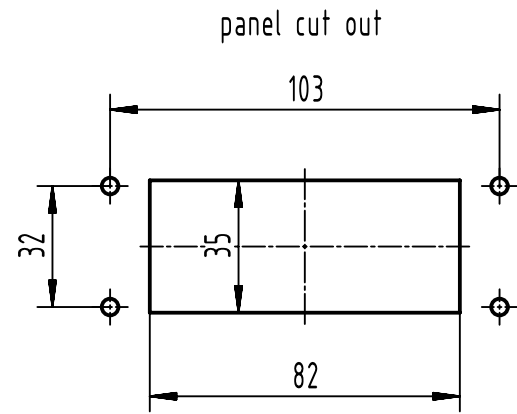
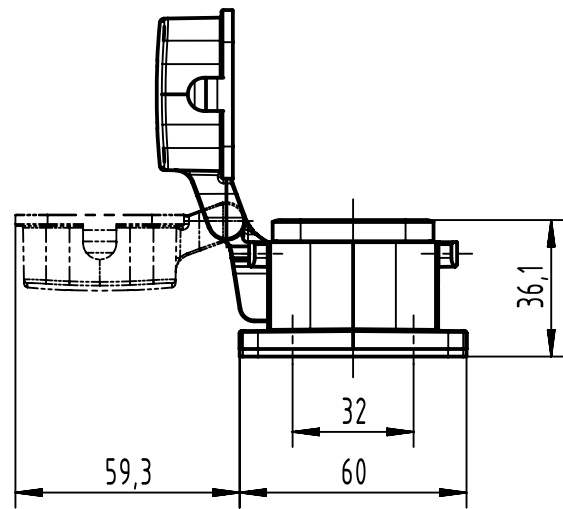
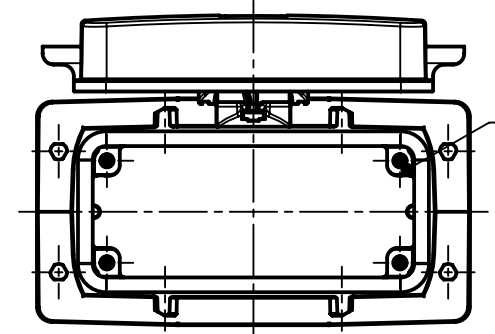


NBR seal

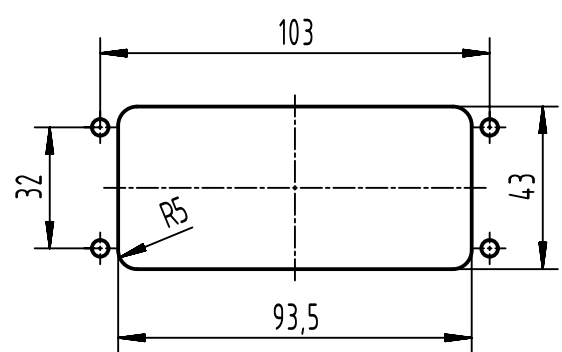
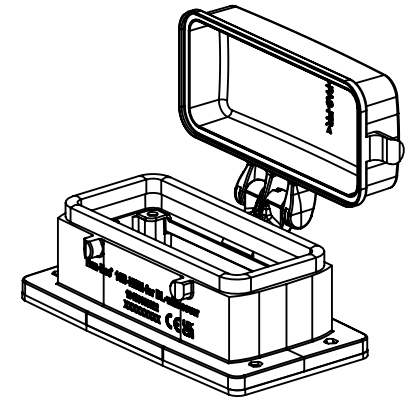
NBR gasket
separately
enclosed




panel cut out
for assembly from
the inner side of cabinet



carrier frame
separately
enclosed



	All Dimensions in mm Original Size DIN A4		Scale 1:2	Free size tol.		Ref.	
	All rights reserved Department EL PD		Created by SPRENB	Inspected by HERBRECHTSME	Standardisation	Sub.	
HARTING D-32339 Espelkamp		Title Han-Eco 16B-HBM-for DL-with cover				Date 2023-06-13	State Final Release
		Type TB Number 19 43 016 0322				Doc-Key / ECM-Nr. 100739882/UGD/001/C 500000243789	Rev. C Page 1/1