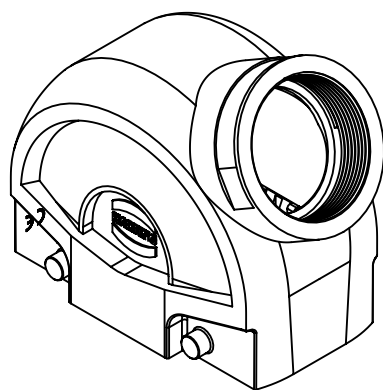
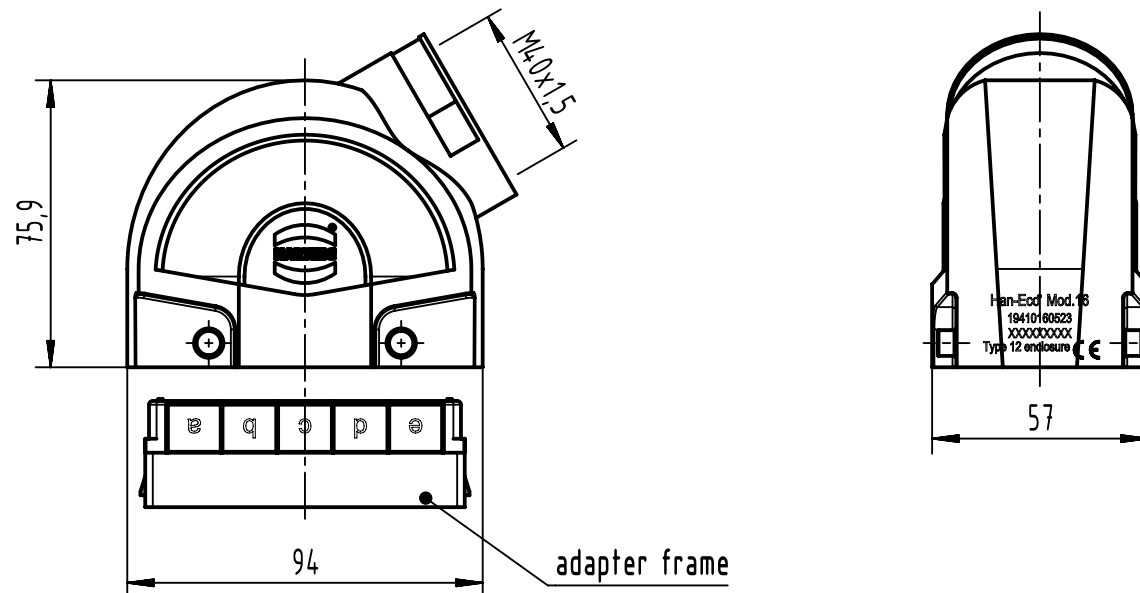


A

B

C

D



	All Dimensions in mm Original Size DIN A4		Scale 1:2	Free size tol.		Ref.	
			Created by 402918	Inspected by 402602	Standardisation 302077	Date 2021-02-19	State Final Release
All rights reserved Department EL PD		Title Han-Eco Mod.16-HSE-M40				Doc-Key / ECM-Nr. 100186831/UGD/006/C 500000189646	
HARTING D-32339 Espelkamp		Type TB	Number 19 41 016 0523			Rev. C	Page 1/1