

1 2 3 4 5 6

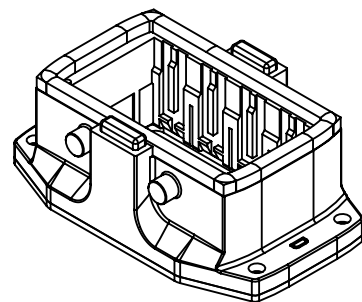
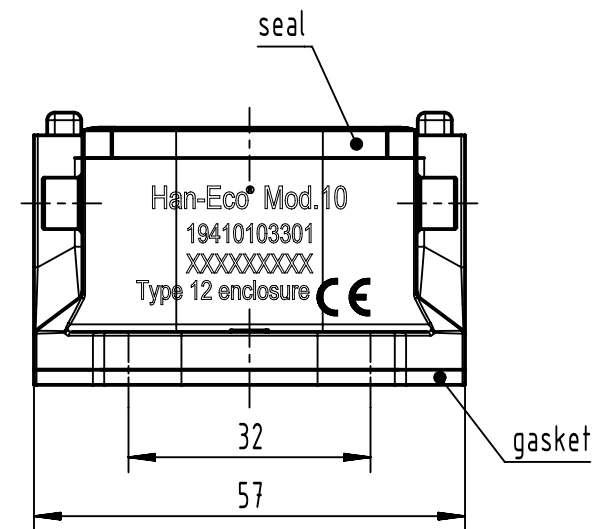
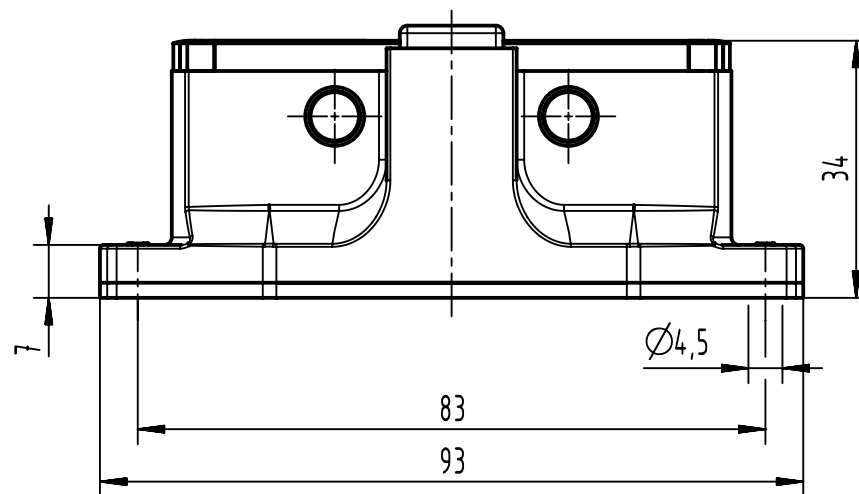
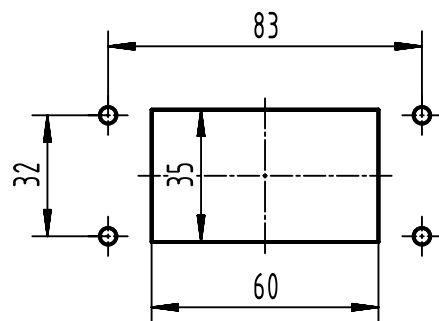
A

B

C

D

panel cut out
(1:2)



	All rights reserved Department EL PD	All Dimensions in mm Original Size DIN A4		Scale 1:1	Free size tol.	Ref.
		Created by 402918	Inspected by 402602	Standardisation 302077	Date 2021-02-18	State Final Release
HARTING D-32339 Espelkamp		Title Han-Eco 10B HBM w/o levers			Doc-Key / ECM-Nr. 1006954.79/UGD/000/D 5000001894.95	
		Type TB	Number 19 41 010 3301		Rev. D	Page 1/1