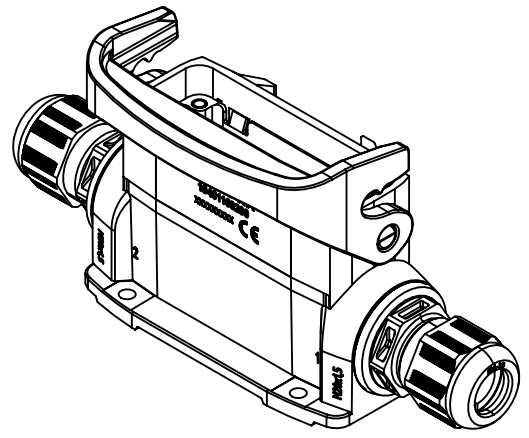



Han-Eco 16A
19461160290
XXXXXXXXX CE

- ① tightening torque max. 4Nm
- ② tightening torque max. 3Nm



	All rights reserved		Scale 1:1		Free size tol.		Ref.		
	Department EL PD		Created by 102700		Inspected by SUNDERMEIER		Standardisation		
HARTING		Title Han-Eco 16A-HSM2-M20 w. cable gl.				Date 2021-08-12		State Final Release	
D-32339 Espelkamp		Type TB				Number 19 46 116 0290		Doc-Key / ECM-Nr. 100604400/UGD/001/E 500000200951	
							Rev. E		Page 1/1