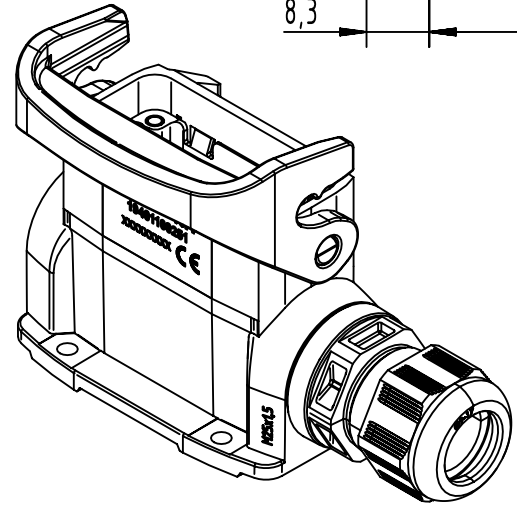



Han-Eco 10A  
19461100251  
XXXXXXXXX CE

- ① tightening torque max. 10Nm
- ② tightening torque max. 4Nm



	All rights reserved		Created by 102700		Inspected by SUNDERMEIER		Standardisation		Date 2021-08-12		State Final Release	
	Department EL PD		Title Han-Eco 10A-HSM1-M25 w. cable gl.		Number 19 46 110 0251		Doc-Key / ECM-Nr. 100602278/UGD/001/F 500000201021		Rev. F		Page 1/1	
HARTING D-32339 Espelkamp			All Dimensions in mm Original Size DIN A4		Scale 1:1 Free size tol.		Ref. Sub.					