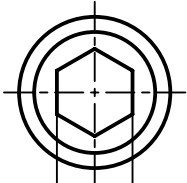
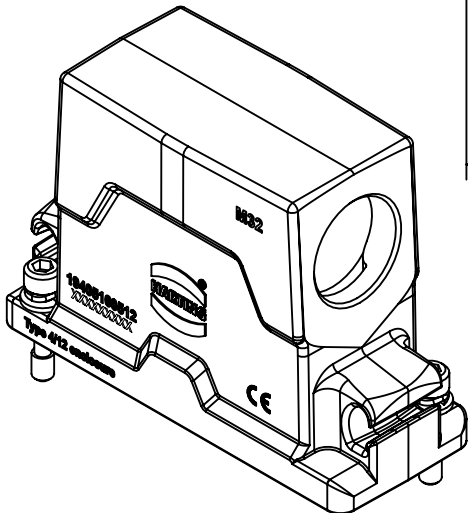
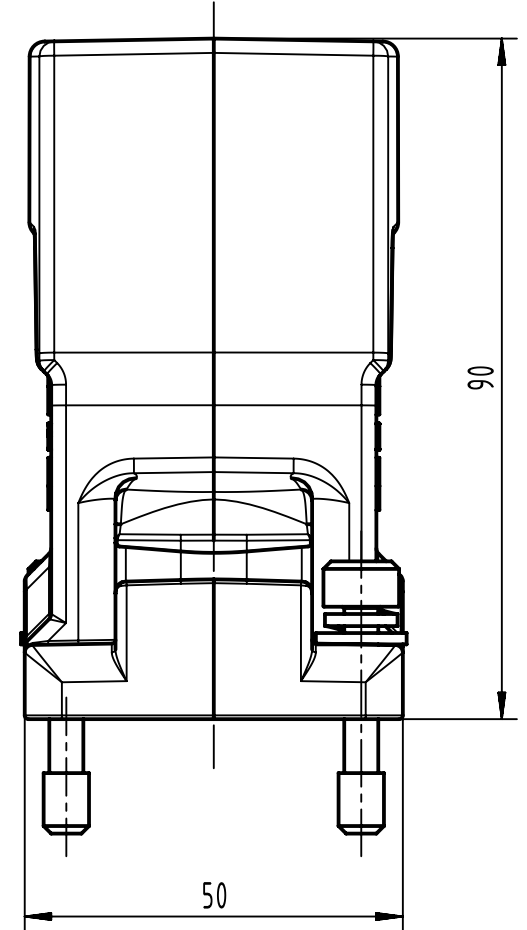
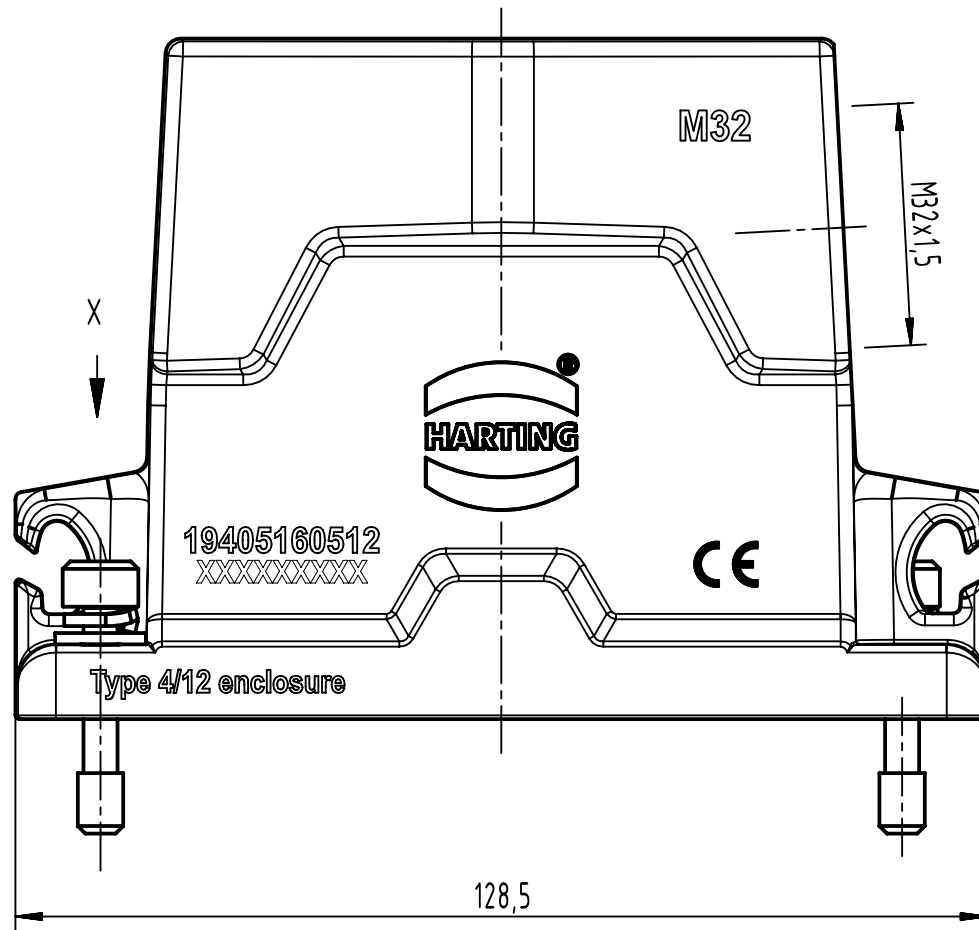


1 2 3 4 5 6

X (2:1) 2x



SW 5
tightening
torque
min. 4Nm



	All Dimensions in mm Original Size DIN A4		Scale 1:1	Free size tol.		Ref.
			Created by WENE	Inspected by LUOK	Standardisation 302077	Sub.
All rights reserved Department EL PD		Title Han 16HPR-Compact-HSE-HC-SCL-M32		Date 2021-06-29		State Final Release
HARTING D-32339 Espelkamp		Type TB		Number 19 40 516 0512		Doc-Key / ECM-Nr. 100871846/UGD/002/C 500000196074
					Rev. C	Page 1/1