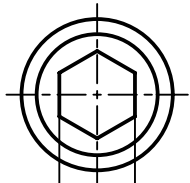


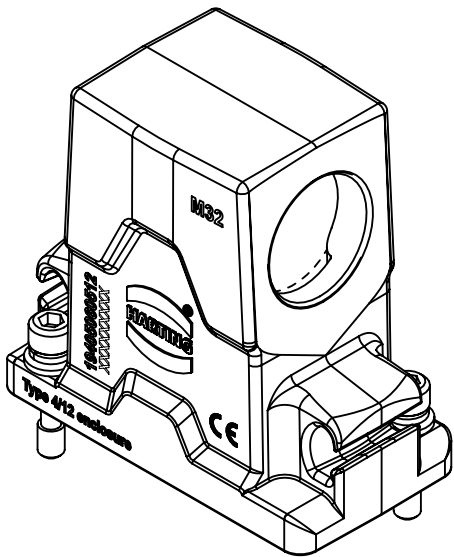
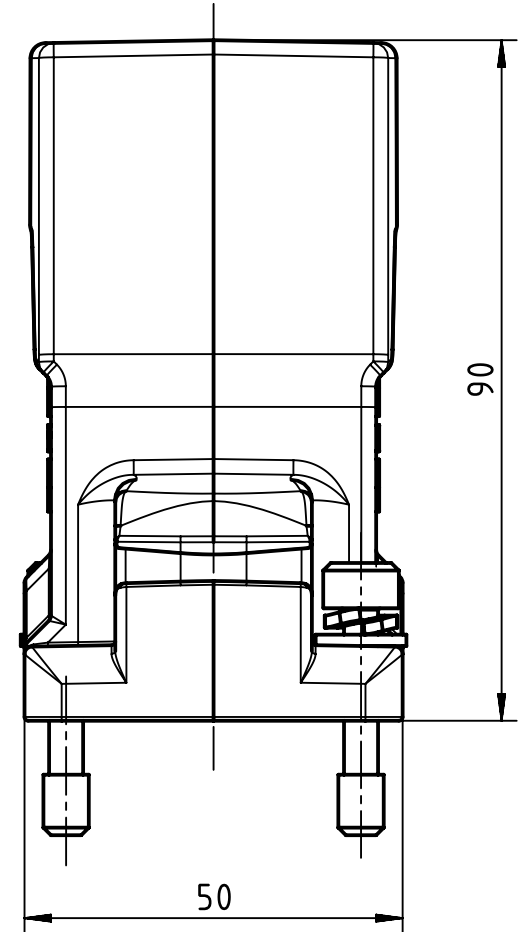
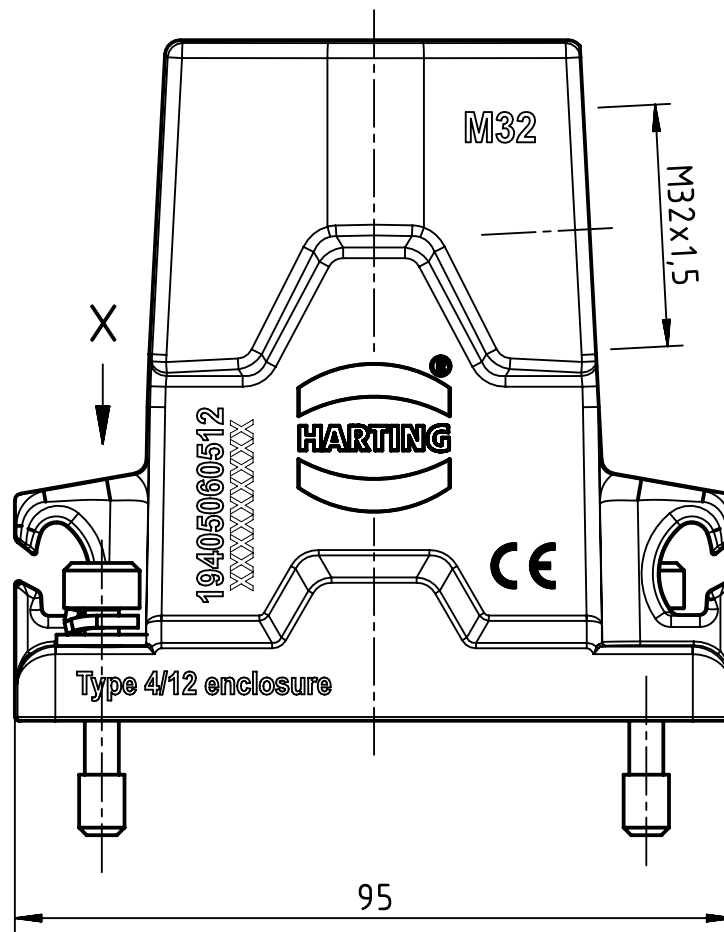
1 2 3 4 5 6

A
B
C
D

X (2:1)



SW 5
tightening torque
min. 4Nm



	All Dimensions in mm Original Size DIN A4	Scale 1:1		Free size tol.		Ref.	
		Created by WENE		Inspected by LUOK		Standardisation 302077	
	All rights reserved Department EL PD	Title Han 6HPR-Compact-HSE-HC-SCL-M32				State Final Release	
		Type TB				Number 19 40 506 0512	
HARTING D-32339 Espelkamp						Rev. C Page 1/1	