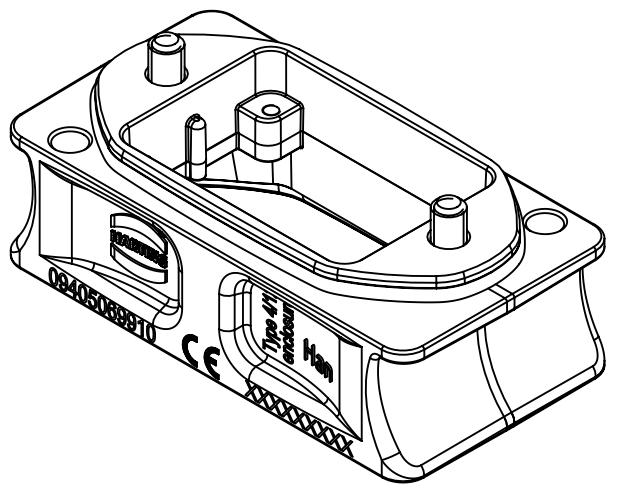
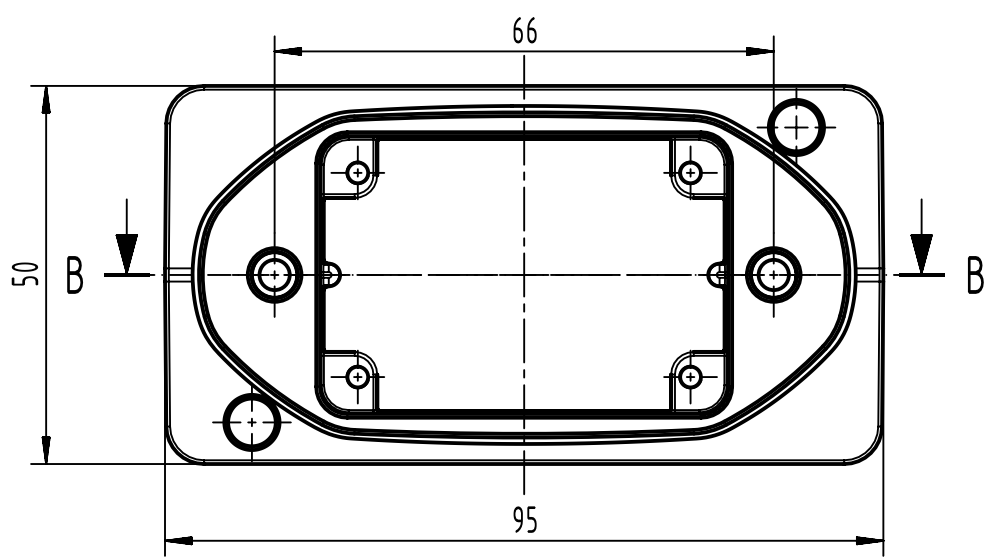
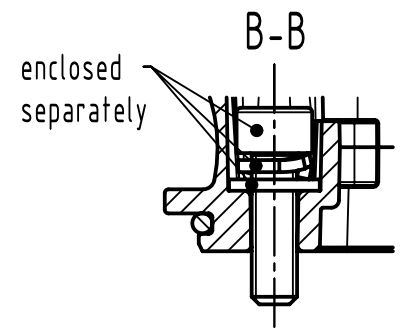
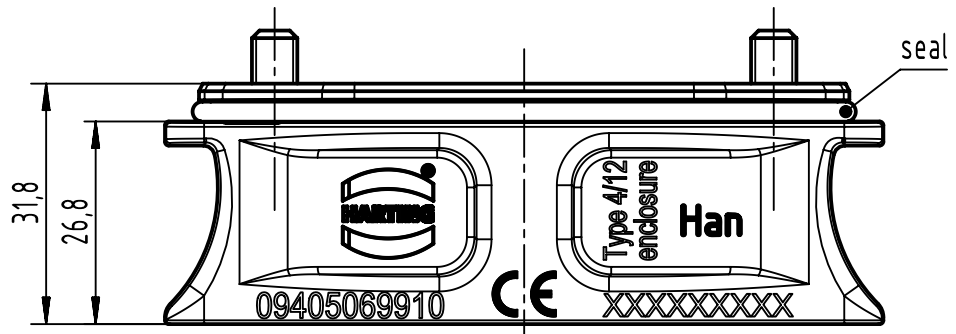
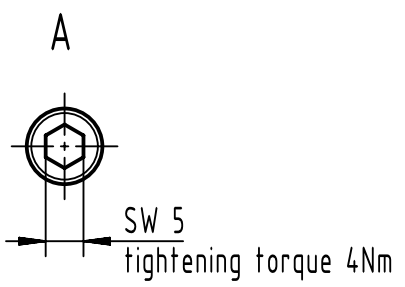


1 2 3 4 5 6

A  
B  
C  
D



	All Dimensions in mm Original Size DIN A4		Scale 1:1	Free size tol.	Ref.
	All rights reserved Department EL PD		Created by WENE	Inspected by LUOK	Standardisation 302077
HARTING D-32339 Espelkamp			Title Han 6HPR-Compact-extender-for SCL		Date 2021-06-11
			Type TB	Number 09 40 506 9910	State Final Release
					Doc-Key / ECM-Nr. 100875692/UGD/001/D 500000196643
					Rev. D
					Page 1/1