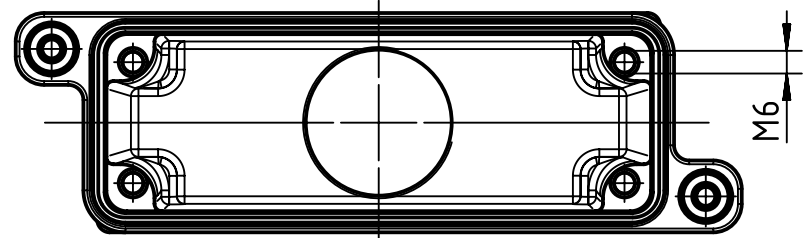


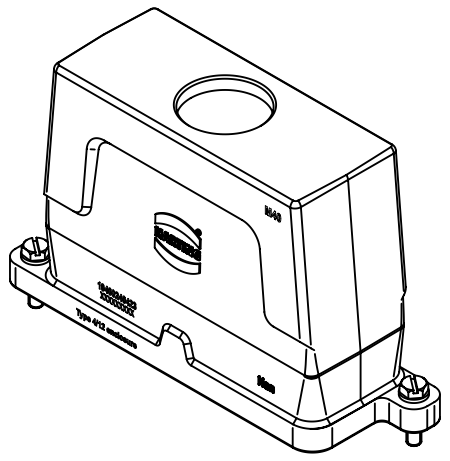
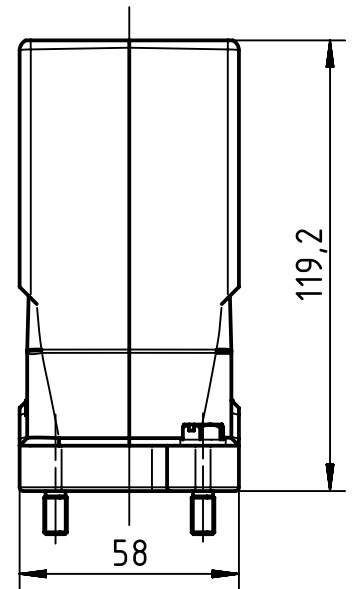
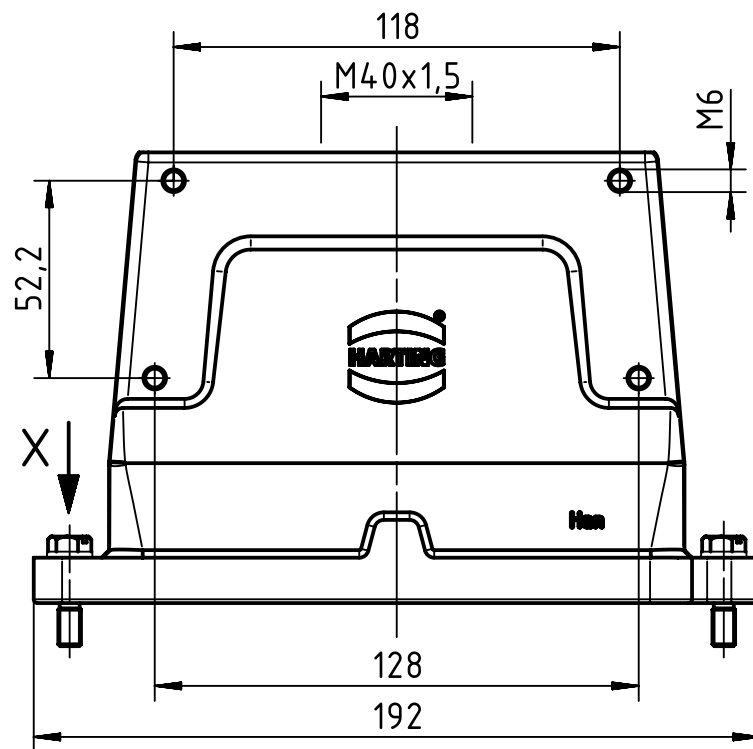
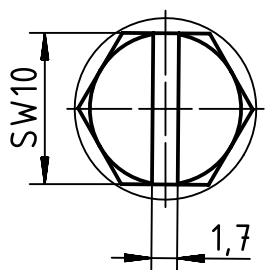
1 2 3 4 5 6

A
B
C
D



M6

X(2:1)



	All Dimensions in mm Original Size DIN A4		Scale 1:2	Free size tol.		Ref.	
	All rights reserved Department EL PD		Created by ZENGD	Inspected by LUOK	Standardisation RUETERA	Date 2018-08-09	State Final Release
HARTING Electric GmbH & Co. KG D-32339 Espelkamp			Title Han 24HPR-enlarged-HTE-SL-M40			Doc-Key / ECM-Nr. 100798055/UGD/004/A 500000138493	
			Type TB	Number 19 40 024 0423		Rev. A	Page 1/1