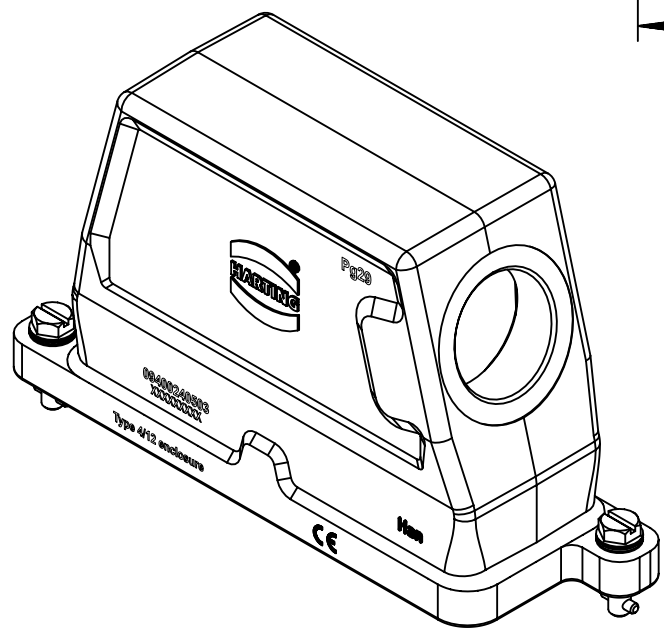
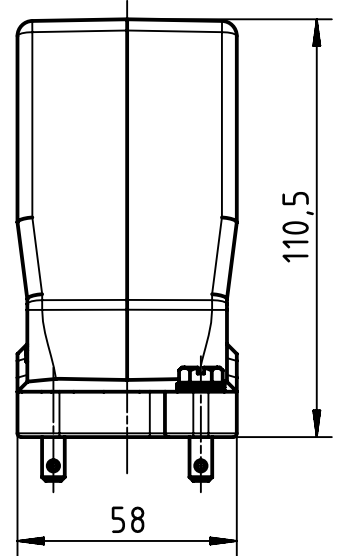
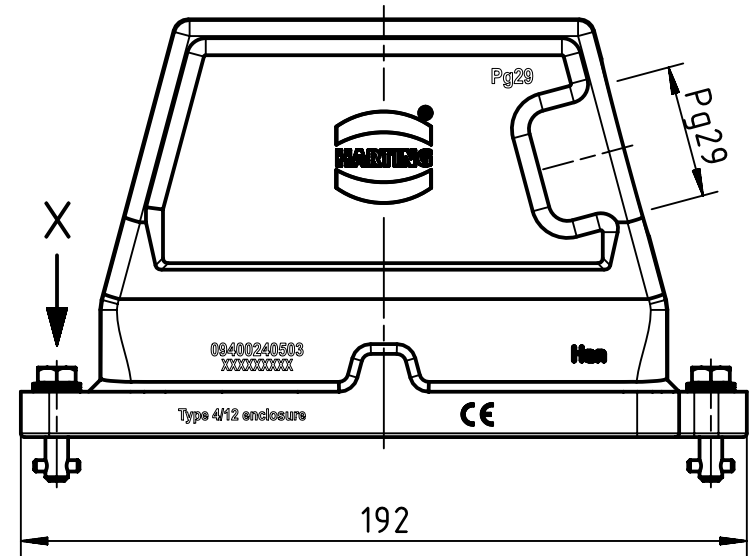
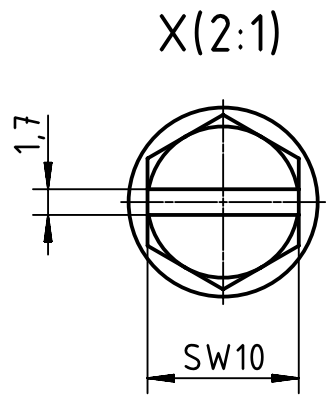


1 2 3 4 5 6

A
B
C
D



	All Dimensions in mm Original Size DIN A4		Scale 1:2	Free size tol.		Ref.
			Created by SPRENB	Inspected by GERB	Standardisation 302077	Sub.
All rights reserved Department EL PD		Title Han 24 HPR Hood Side Entry PG 29 Toggle		Date 2020-12-09	State Final Release	
HARTING D-32339 Espelkamp		Type TB		Number 09 40 024 0503		Doc-Key / ECM-Nr. 100172258/UGD/004/B 500000183544
					Rev. B	Page 1/1