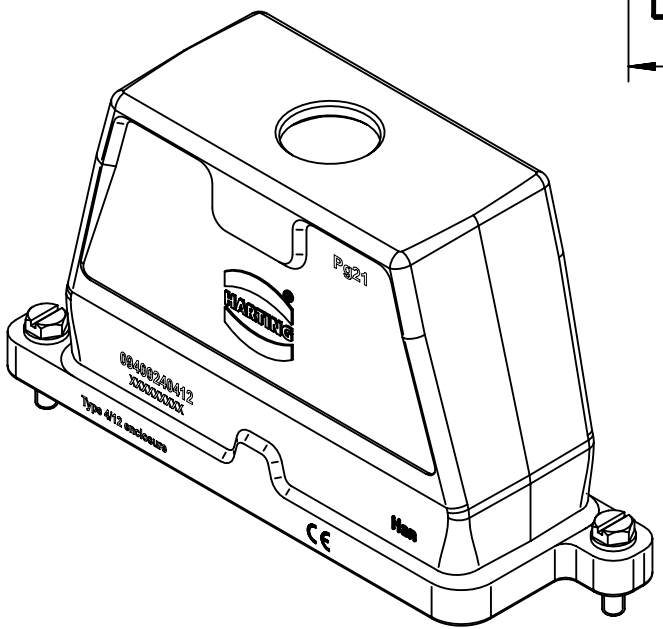
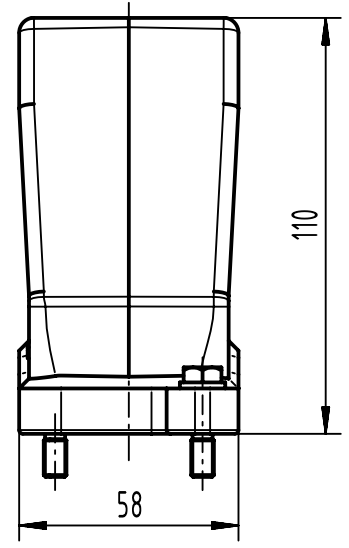
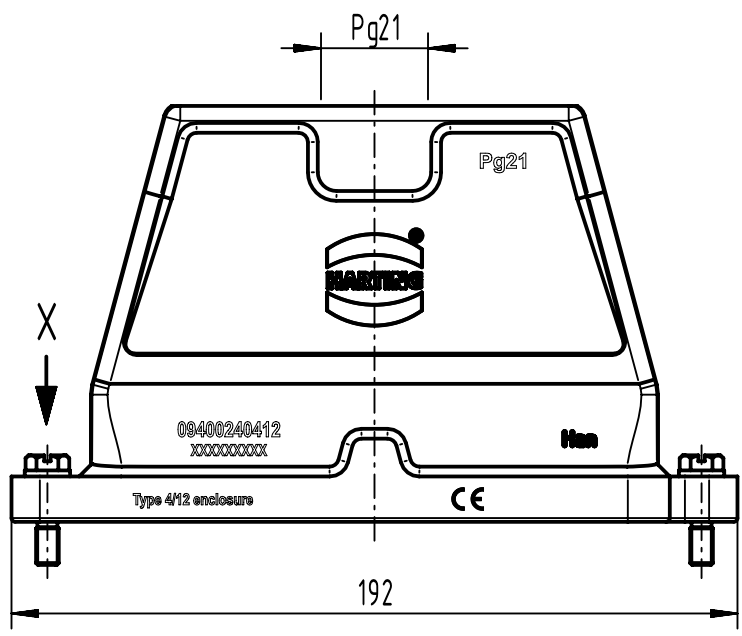
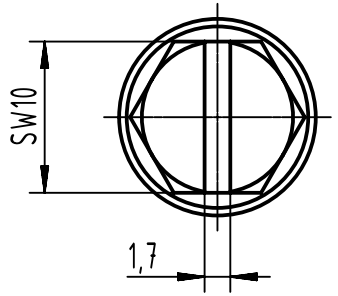


1 2 3 4 5 6

A  
B  
C  
D

X (2:1)



	All Dimensions in mm Original Size DIN A4		Scale 1:2	Free size tol.		Ref.	
						Sub.	
	All rights reserved		Created by SPRENB	Inspected by GERB	Standardisation 302077	Date 2021-05-18	
	Department EL PD					State Final Release	
HARTING			Title Han 24 HPR Hood Top Entry PG 21 Screw Lo			Doc-Key / ECM-Nr. 100201957/UGD/004/C 500000190688	
D-32339 Espelkamp			Type TB	Number 09 40 024 0412			
						Rev. C	Page 1/1