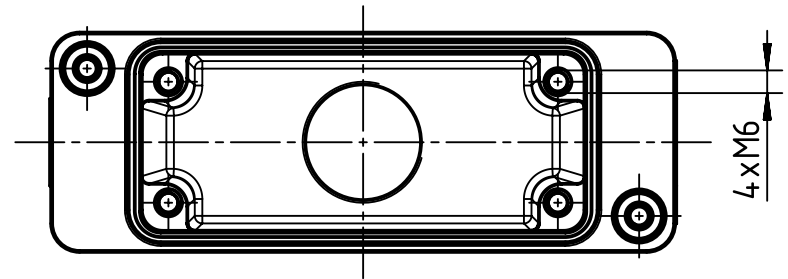
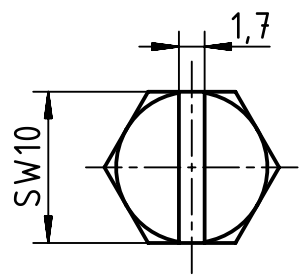


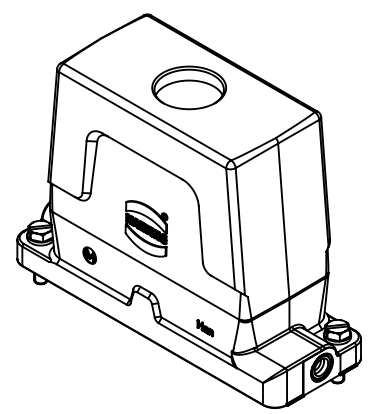
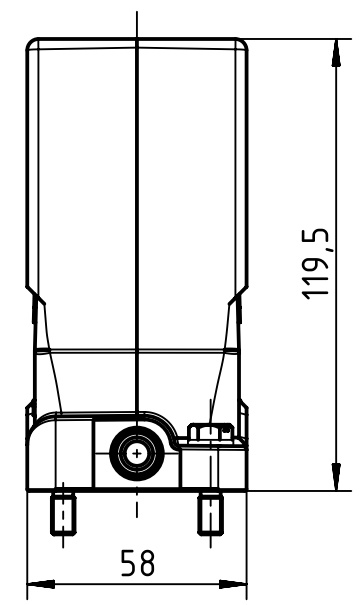
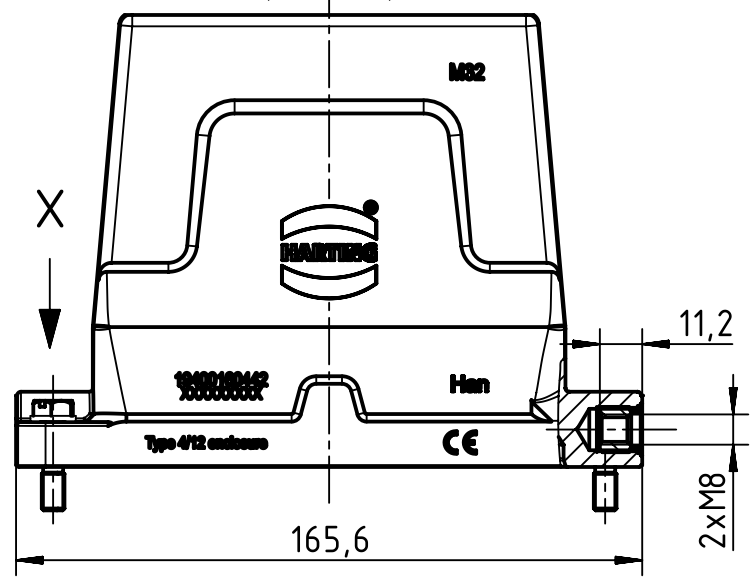
1 2 3 4 5 6


A
B
C
D

X (2:1)



M32x1,5



	All rights reserved Department EL PD HARTING Electric GmbH & Co. KG D-32339 Espelkamp	All Dimensions in mm Original Size DIN A4		Scale 1:2	Free size tol.	Ref. Sub.	
		Created by LONGL	Inspected by HEW	Standardisation TIEMANNA	Date 2019-12-31	State Final Release	Doc-Key / ECM-Nr. 100793880/UGD/001/C 500000162848
		Title Han 16HPR enlarged-HTE-SCL-M32-FE				Rev. C	Page 1/1
		Type TB		Number 19 40 016 0442			