

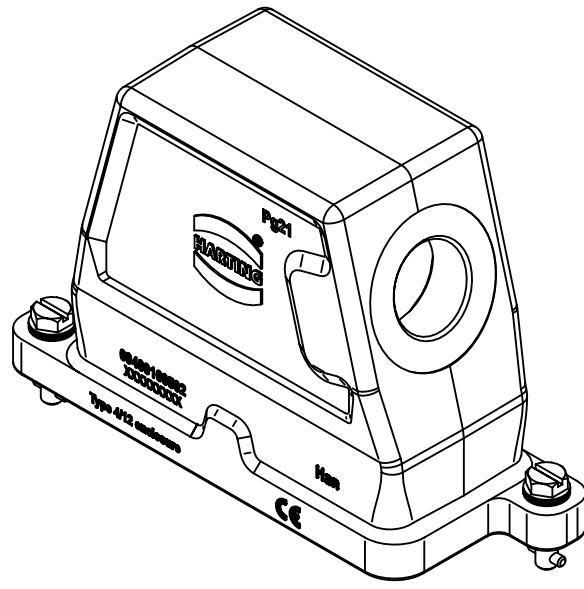
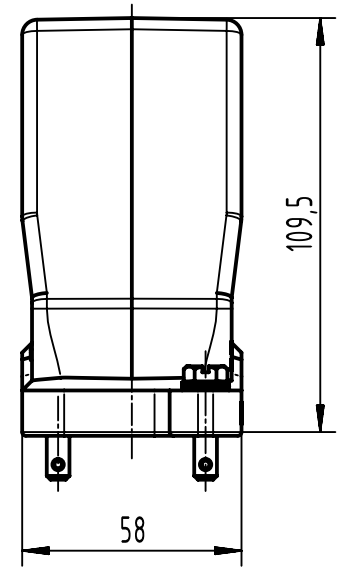
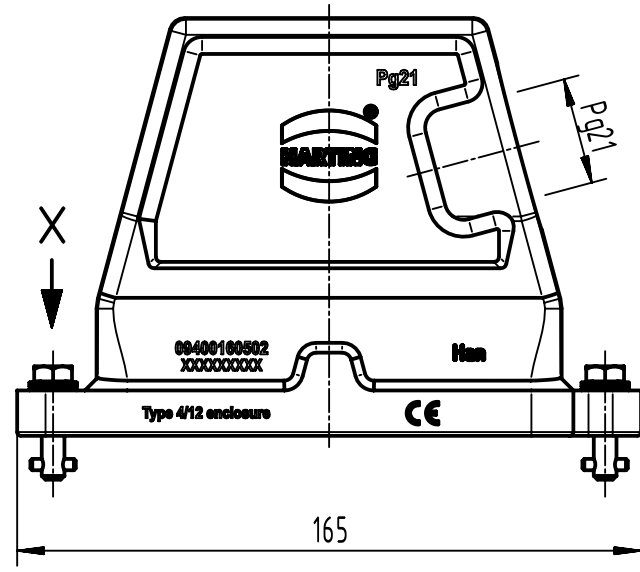
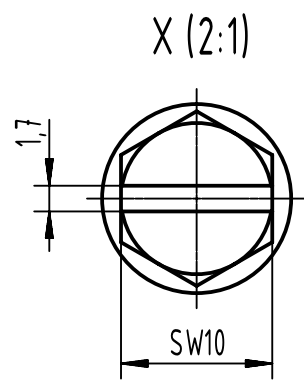
1 2 3 4 5 6

A

B

C

D



| | | | | | | | | |
|------------------------------|--|--|--|--------------------------|---------------------------|--------------------|--|-------------|
| | All Dimensions in mm Original Size DIN A4 | | Scale 1:2 | Free size tol. | | Ref. | | |
| | | | | | | Sub. | | |
| | All rights reserved | | Created by HELLMANN | Inspected by GERB | Standardisation 302077 | Date 2021-01-19 | State Final Release | |
| | Department EL PD | | Title Han 16 HPR Hood Side Entry PG 21 Toggle | | | | Doc-Key / ECM-Nr. 100215003/UGD/004/C 500000178007 | |
| HARTING D-32339 Espelkamp | | | Type TB | Number 09 40 016 0502 | | | Rev. C | Page 1/1 |