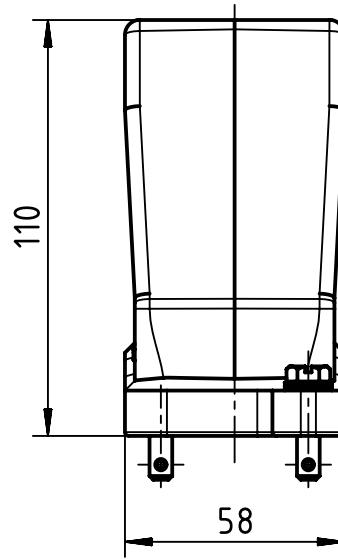
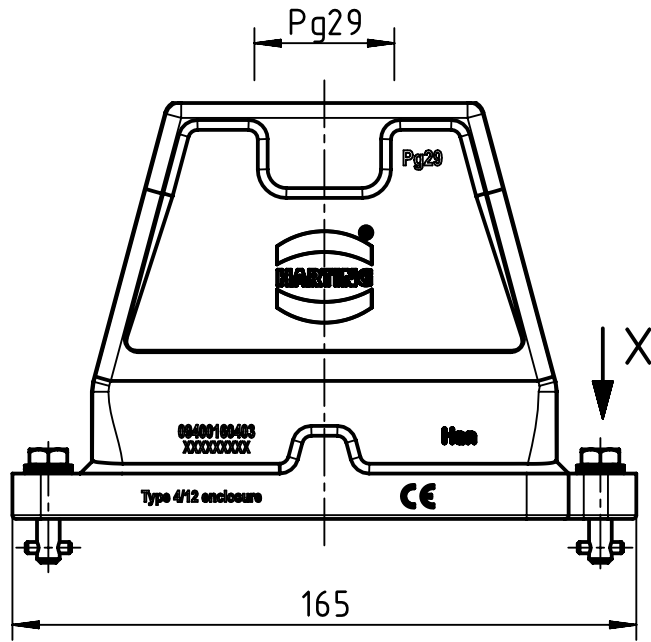


A

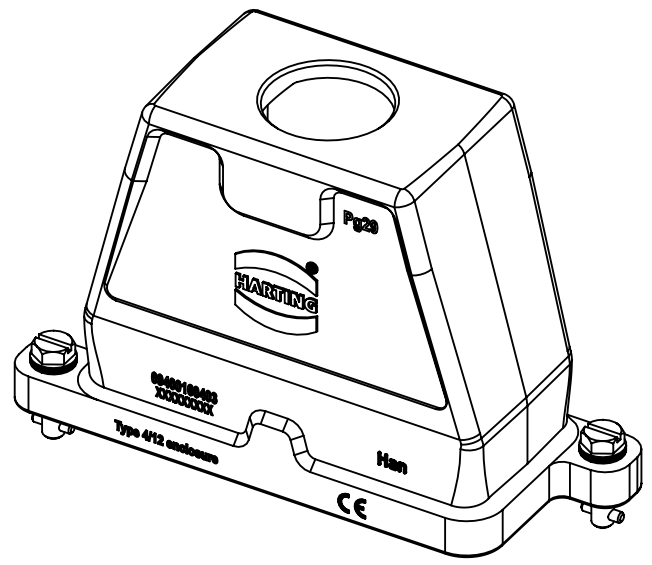
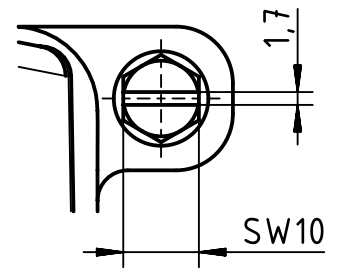
B

C

D



X (1:1)



	All Dimensions in mm Original Size DIN A4		Scale 1:2	Free size tol.	Ref.	
					Sub.	
	All rights reserved		Created by HELLMANN	Inspected by GERB	Standardisation 302077	
	Department EL PD				Date 2020-12-15	State Final Release
HARTING			Title Han 16HPR-HTE-Pg 29 Toggle lock			Doc-Key / ECM-Nr. 100170353/UGD/004/C 500000184.040
D-32339 Espelkamp			Type TB	Number 09 40 016 0403	Rev. C	