

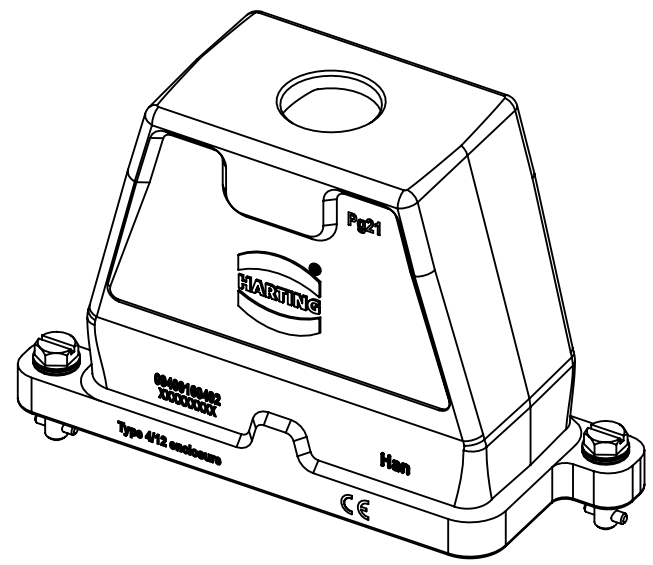
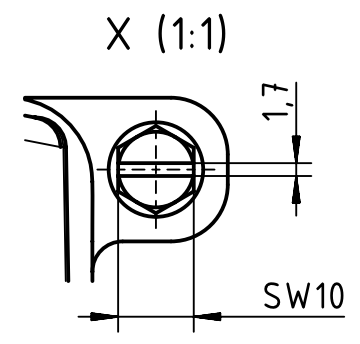
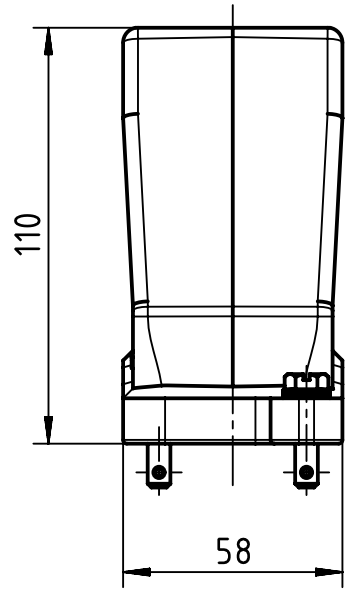
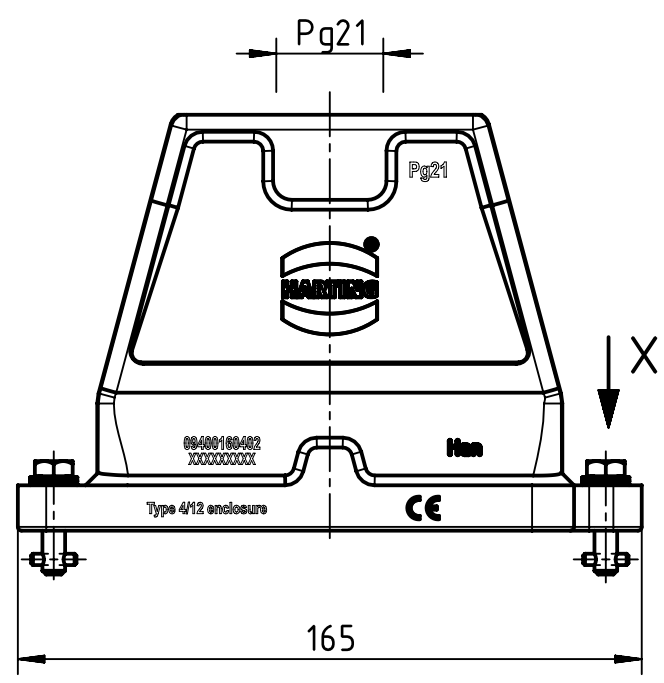
1 2 3 4 5 6

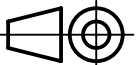

A

B

C

D



 All Dimensions in mm Original Size DIN A4	Scale	Free size tol.		Ref.	
	1:2			Sub.	
 All rights reserved Department EL PD	Created by	Inspected by	Standardisation	Date	State
	HELLMANN	GERB	302077	2020-12-15	Final Release
HARTING D-32339 Espelkamp	Title			Doc-Key / ECM-Nr.	
	Han 16HPR-HTE-Pg 21 Toggle lock			10017034.7/UGD/004/C 500000184.040	
Type		Number		Rev.	Page
TB		09 40 016 0402		C	1/1