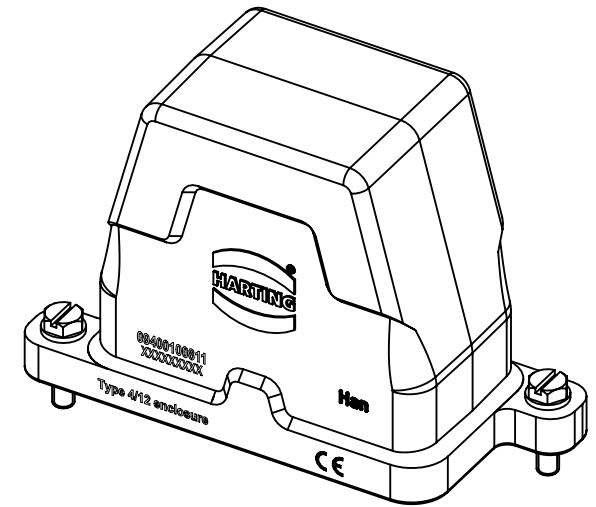
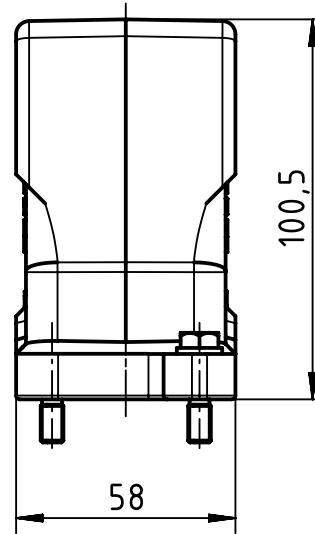
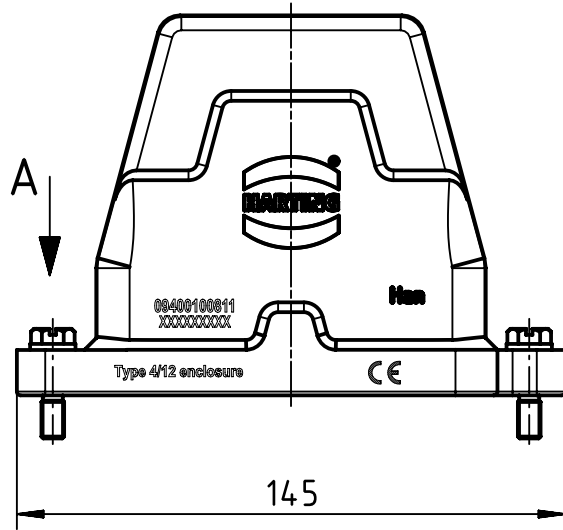


A

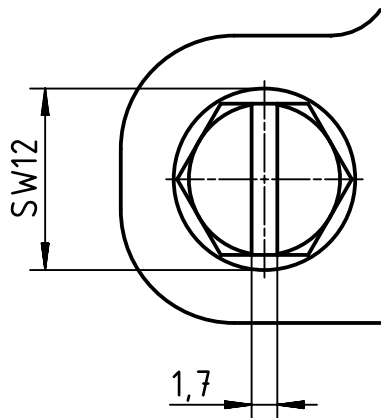
B


C

D



A (2:1)



	All rights reserved Department EL PD	All Dimensions in mm Original Size DIN A4			Scale 1:2	Free size tol.	Ref. Sub.
		Created by SPRENB	Inspected by GERB	Standardisation	Date 2021-08-10	State Final Release	
HARTING D-32339 Espelkamp		Title Han 10HPR Hood w/o Pg-Screw lock				Doc-Key / ECM-Nr. 100206549/UGD/004/D 500000196731	
		Type TB	Number 09 40 010 0811			Rev. D	Page 1/1