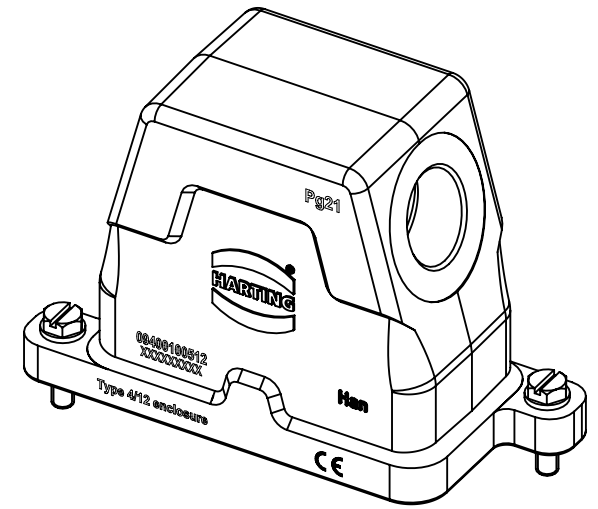
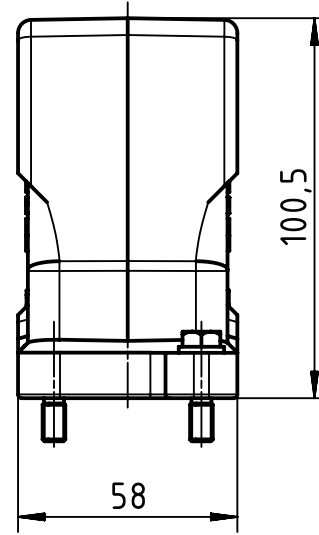
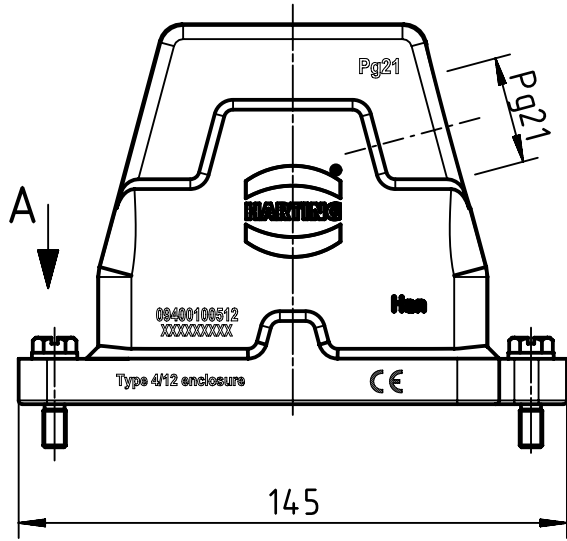


A

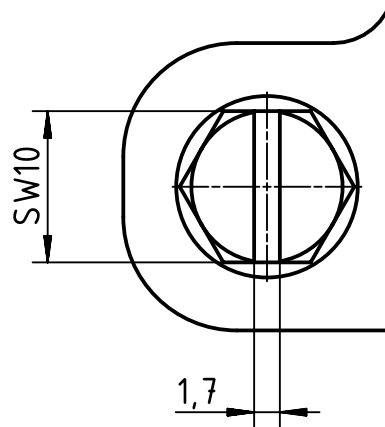
B

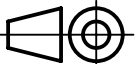

C

D



A (2:1)



 All Dimensions in mm Original Size DIN A4	Scale	Free size tol.		Ref.	
	1:2			Sub.	
 All rights reserved Department EL PD	Created by	Inspected by	Standardisation	Date	State
	SPRENB	GERB		2021-08-10	Final Release
HARTING D-32339 Espelkamp	Title			Doc-Key / ECM-Nr.	
	Han 10HPR-HSE-Pg21-Screw lock			100206551/UGD/004/D 500000196731	
Type		Number		Rev.	Page
TB		09 40 010 0512		D	1/1