

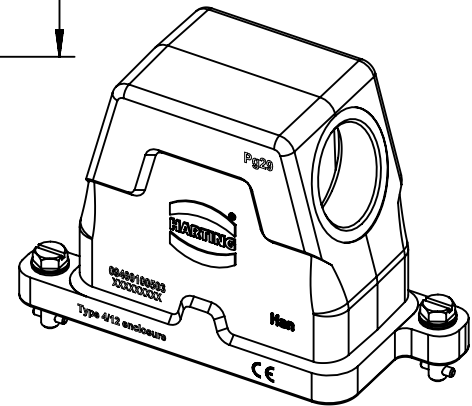
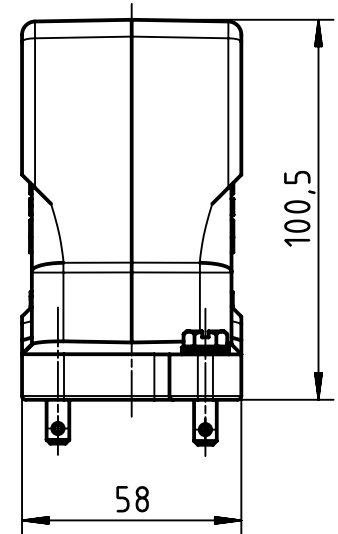
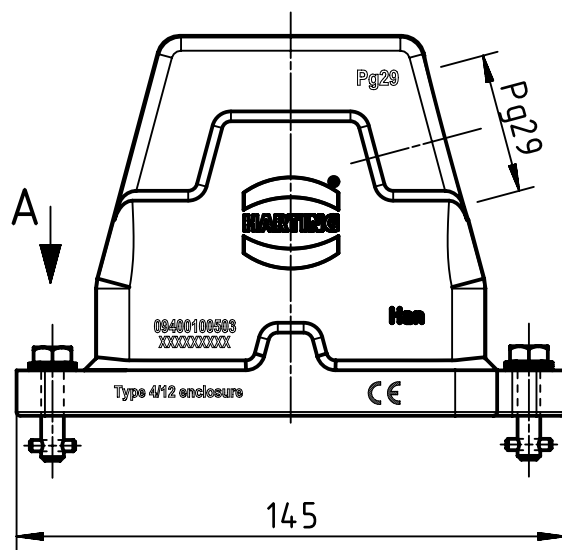
1 2 3 4 5 6

A

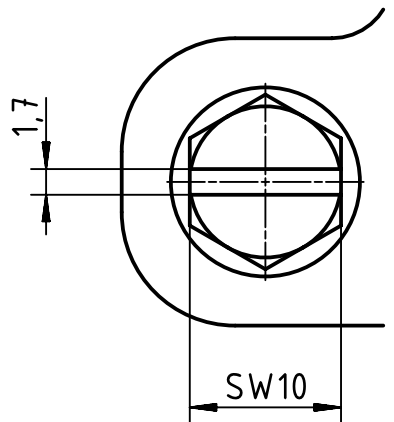
B

C

D



A (2:1)



All Dimensions in mm Original Size DIN A4		Scale 1:2	Free size tol.		Ref.
All rights reserved Department EL PD		Created by SPRENB	Inspected by GERB	Standardisation	Date 2021-08-10
HARTING D-32339 Espelkamp		Title Han 10HPR-HSE-Pg29-Toggle lock			State Final Release
		Type TB	Number 09 40 010 0503		Doc-Key / ECM-Nr. 100206528/UGD/004/D 500000196731 Rev. D Page 1/1