

1 2 3 4 5 6

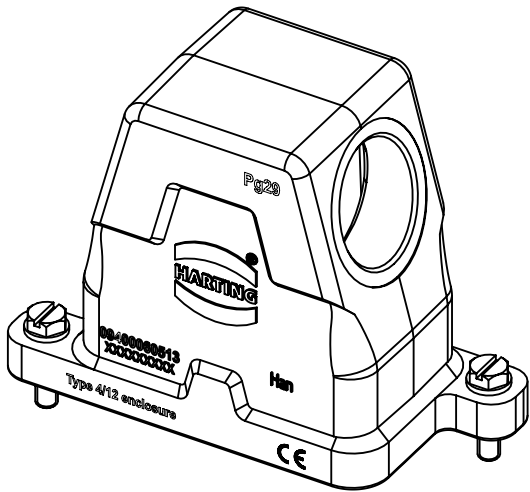
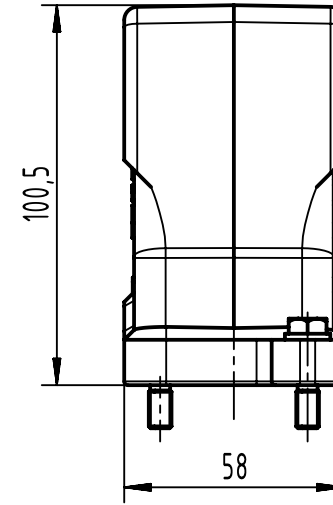
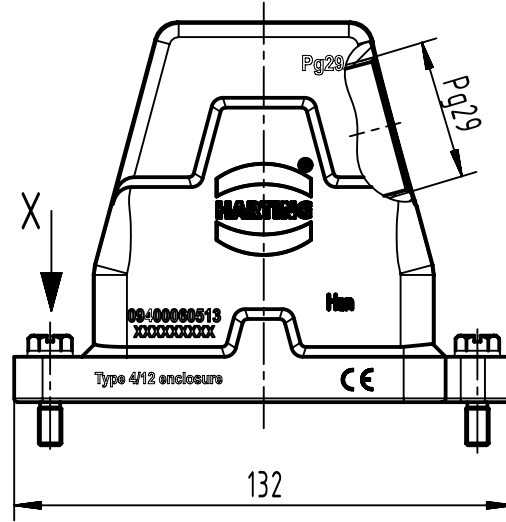
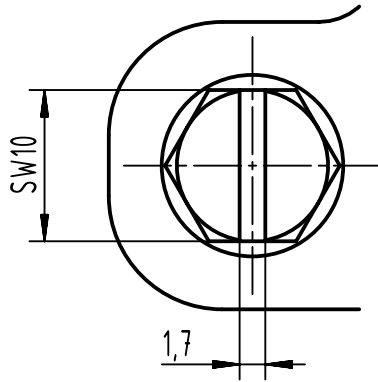
A

B

C

D

X (2:1)



	All Dimensions in mm Original Size DIN A4		Scale 1:2	Free size tol.		Ref.		
						Sub.		
	All rights reserved		Created by SPRENB	Inspected by GERB	Standardisation	Date 2021-09-10	State Final Release	
	Department EL PD		Title Han 6HPR HSE-Pg29-Screw lock				Doc-Key / ECM-Nr. 100208592/UGD/004/D 500000201415	
HARTING D-32339 Espelkamp			Type TB	Number 09 40 006 0513			Rev. D	Page 1/1