

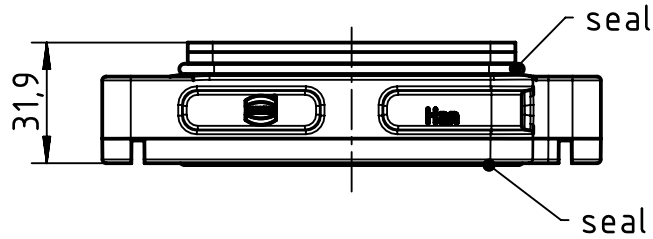
1 2 3 4 5 6

A

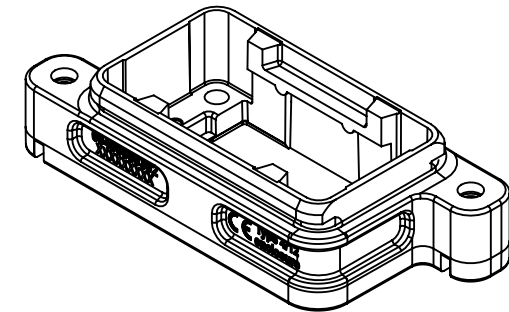
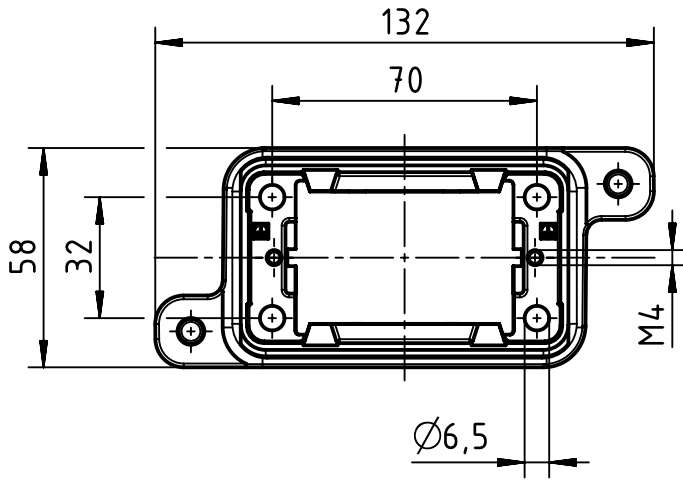
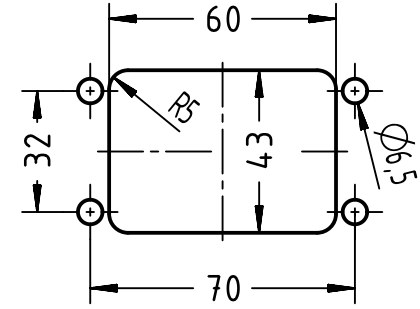
B

C

D



panel cut out



	All Dimensions in mm Original Size DIN A4		Scale 1:2	Free size tol.		Ref.		
						Sub.		
	All rights reserved		Created by YUA	Inspected by WANGSTE	Standardisation TIEMANNA	Date 2020-09-21	State Final Release	
	Department EL PD		Title Han@ 6 HPR HBM Rear-fit w/o frame				Doc-Key / ECM-Nr. 100830556/UGD/000/B 500000179819	
HARTING Electric GmbH & Co. KG D-32339 Espelkamp			Type TB	Number 09 40 006 0392			Rev. B	Page 1/1