

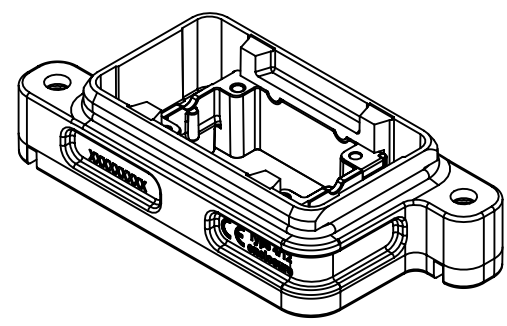
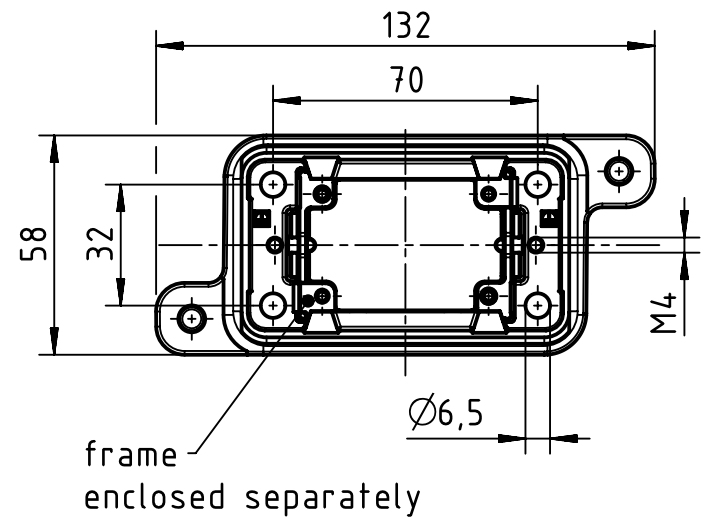
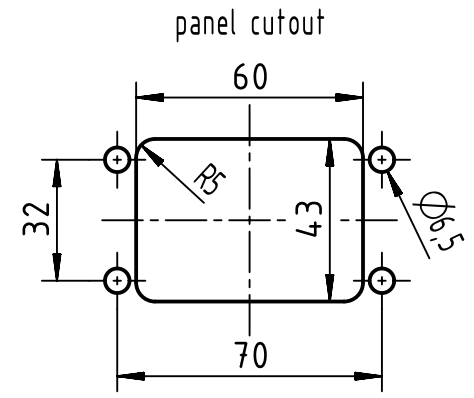
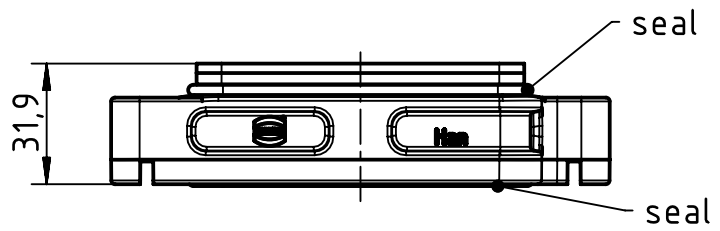
1 2 3 4 5 6


A

B

C

D



	All rights reserved Department EL PD HARTING Electric GmbH & Co. KG D-32339 Espelkamp	All Dimensions in mm Original Size DIN A4	Scale 1:2	Free size tol.		Ref.
		Created by YUA	Inspected by WANGSTE	Standardisation TIEMANNA	Date 2020-09-21	State Final Release
Title Han@ 6 HPR HBM Rear-fit						Doc-Key / ECM-Nr. 100830404/UGD/000/B 500000179819
Type TB		Number 09 40 006 0391			Rev. B	Page 1/1