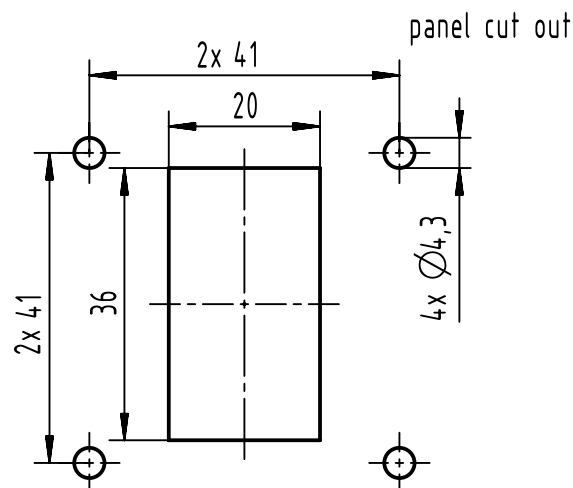
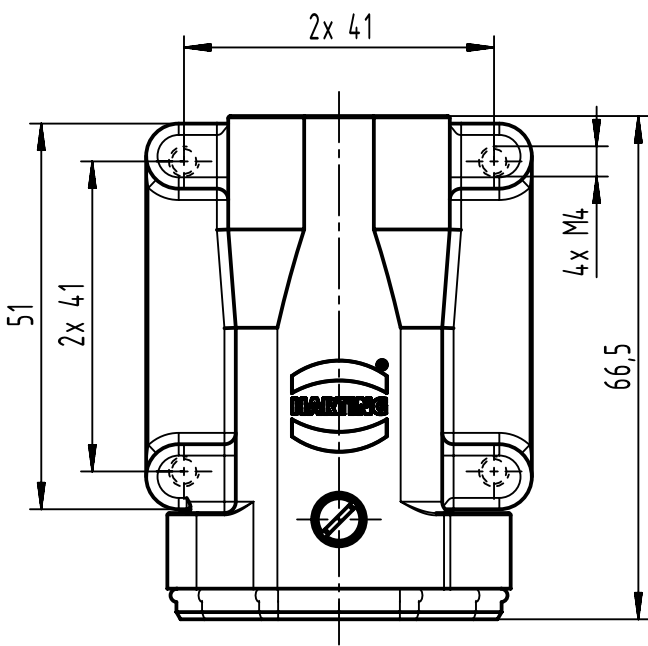
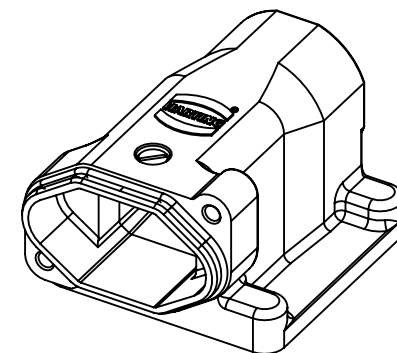
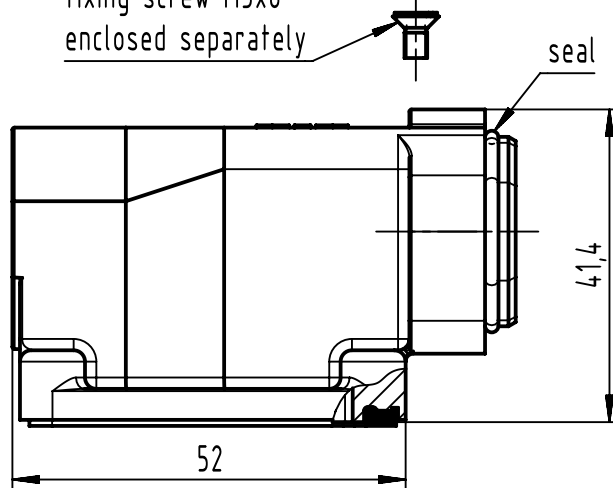


fixing screw M3x6
enclosed separately



range of delivery:
housing: zinc die-casting alloy,
black powder coated
seals: 1 O-ring, 1 gasket
insert fixing screw for IP 68

	All rights reserved Department EL PD	All Dimensions in mm Original Size DIN A4		Scale 1:1	Free size tol.	Ref. Sub. TB 09 40 703 0953 v. 15.10.09	
		Created by HOLLERT	Inspected by GERB	Standardisation	Date 2021-11-17	State Final Release	
HARTING D-32339 Espelkamp		Title Han 3HPR angled hous. long, RoHS conf.				Doc-Key / ECM-Nr. 100184297/UGD/008/C 500000205373	
		Type TB	Number 09 40 703 0953			Rev. C	Page 1/1