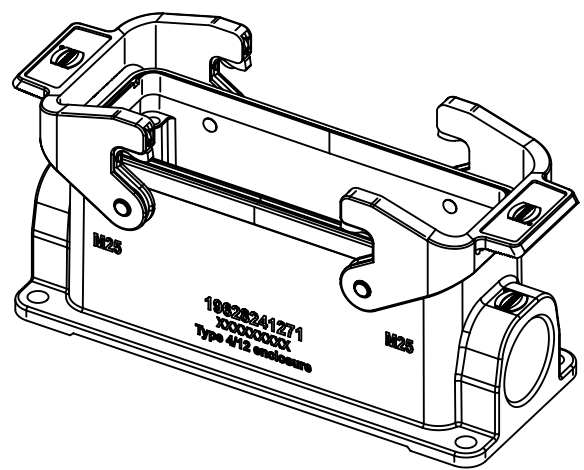


19628241271
 XXXXXXXXX
 Type 4/12 enclosure



	All Dimensions in mm Original Size DIN A4		Scale 1:1	Free size tol.		Ref.
			Created by HELLMANN	Inspected by GERB	Standardisation GARSKE	Sub.
All rights reserved Department EL PD		Title Han 24EMC/B-HSM-2xM25-DL		Date 2020-03-02	State Final Release	
HARTING Electric GmbH & Co. KG D-32339 Espelkamp		Type TB		Number 19 62 824 1271		Doc-Key / ECM-Nr. 100126223/UGD/006/C 500000163234
					Rev. C	Page 1/1