

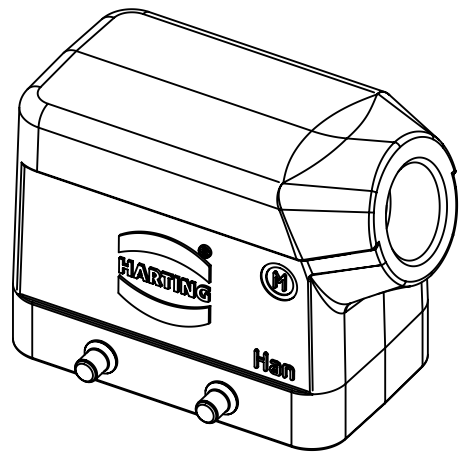
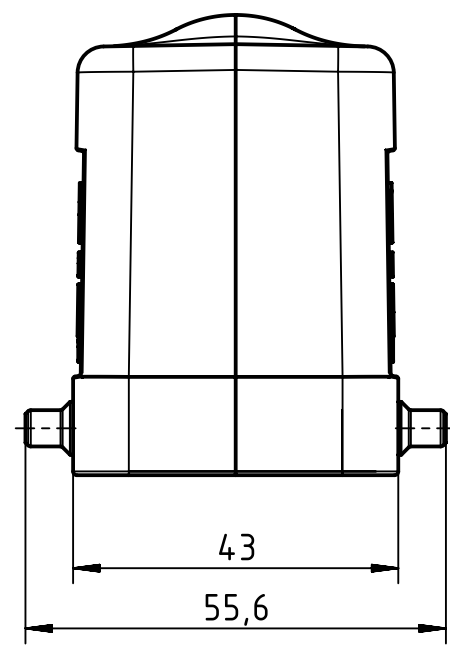
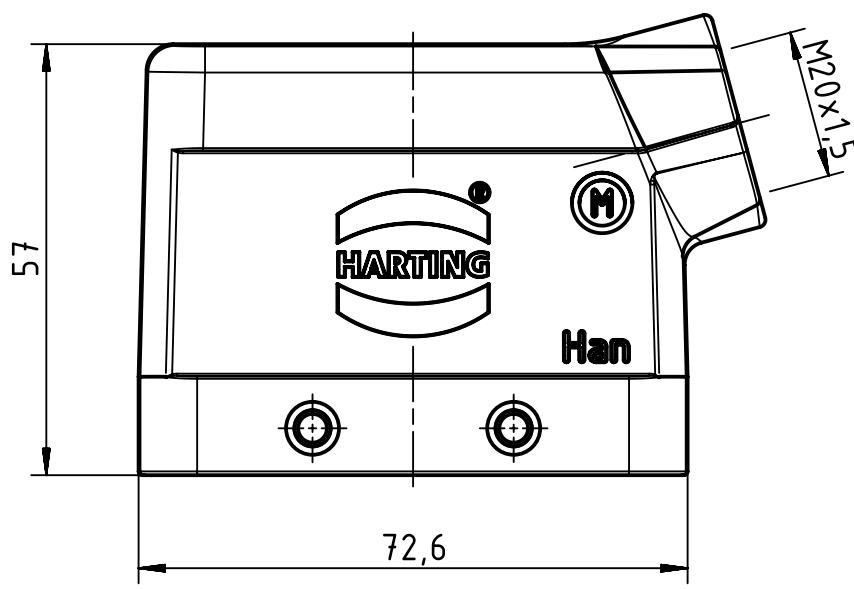
1 2 3 4 5 6

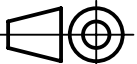

A

B

C

D



 All Dimensions in mm Original Size DIN A4	Scale	Free size tol.			Ref.	
	1:1				Sub.	
 All rights reserved Department EL PD - DE	Created by	Inspected by	Standardisation	Date	State	
	SPRENB	BERGHORN	TIEMANNA	2015-10-15	Final Release	
HARTING Electric GmbH & Co. KG D-32339 Espelkamp	Title				Doc-Key / ECM-Nr. 100201703/UGD/004/C 500000095422	
	Han 10EMC/B-HSE-M20 (HT)					
Type		Number			Rev.	Page
TB		19 62 810 1520			C	1/1