

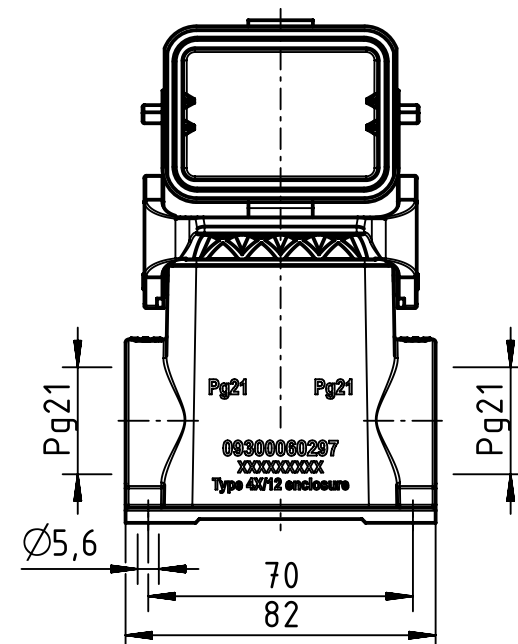
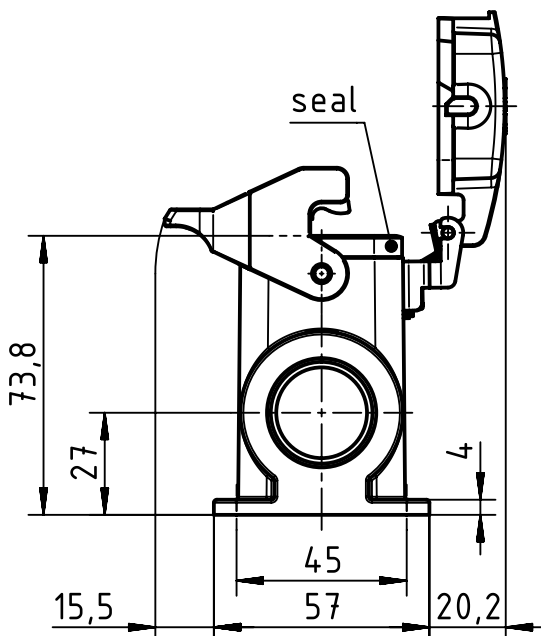
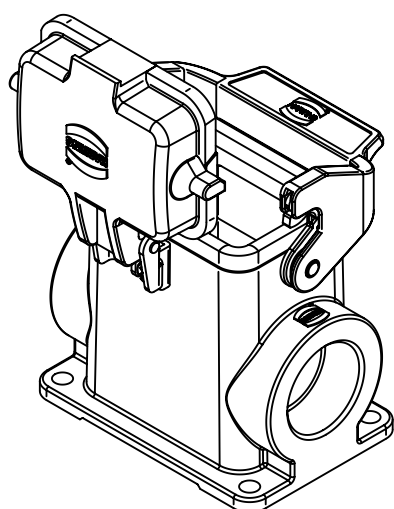
1 2 3 4 5 6

A

B

C

D



	All Dimensions in mm Original Size DIN A4		Scale 1:2	Free size tol.		Ref.		
						Sub.		
	All rights reserved		Created by 102700	Inspected by SUNDERMEIER	Standardisation GARSKE	Date 2020-02-18	State Final Release	
	Department EL PD		Title Han B Base SM HC cover 2 x Pg21				Doc-Key / ECM-Nr. 100207202/UGD/004/C 500000166813	
HARTING Electric GmbH & Co. KG D-32339 Espelkamp			Type TB	Number 09 30 006 0297			Rev. C	Page 1/1