

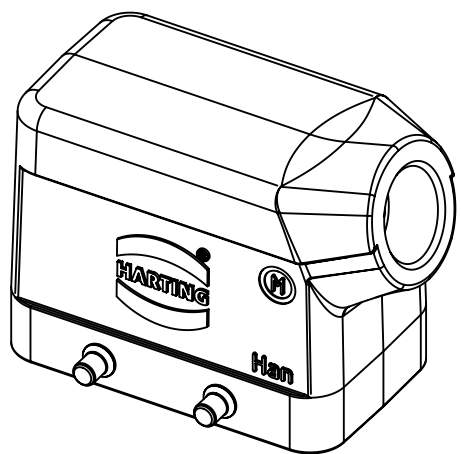
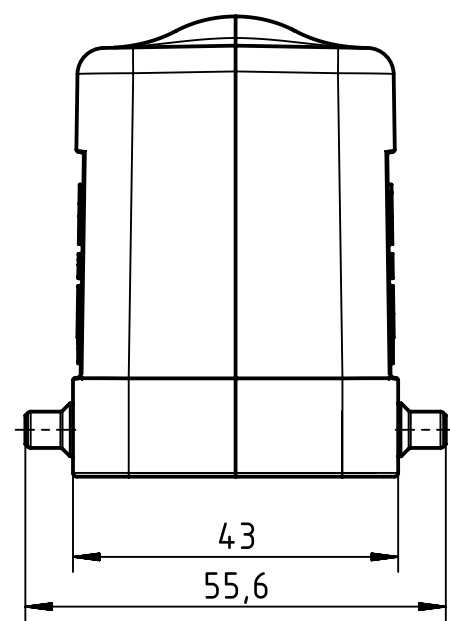
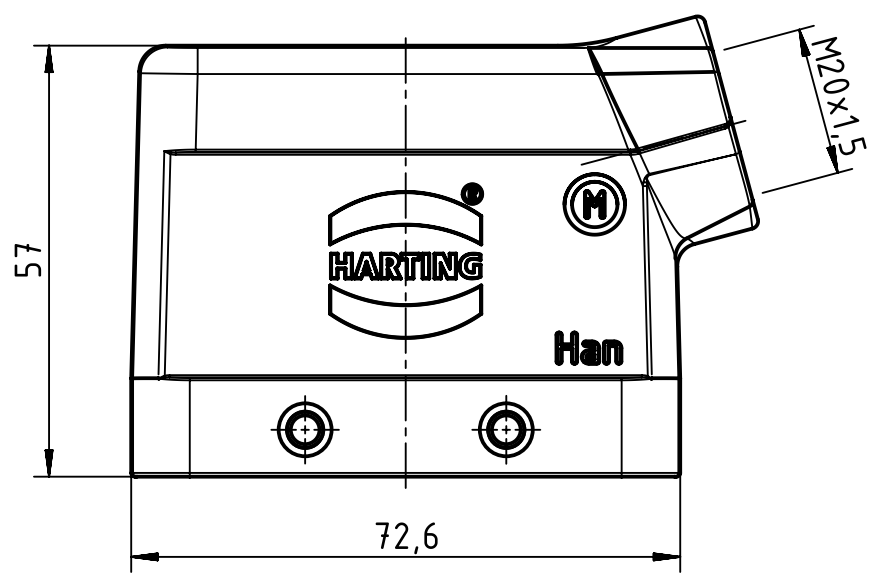
1 2 3 4 5 6

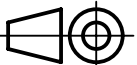

A

B

C

D



 All Dimensions in mm Original Size DIN A4	Scale	Free size tol.			Ref.
	1:1				Sub.
 All rights reserved Department EL PD - DE	Created by	Inspected by	Standardisation	Date	State
	SPRENB	BERGHORN	TIEMANNA	2015-10-15	Final Release
HARTING Electric GmbH & Co. KG D-32339 Espelkamp	Title				Doc-Key / ECM-Nr. 100181506/UGD/004/B 500000095422
	Type	Number			
	TB	19 37 010 1520			Rev. B
					Page 1/1