

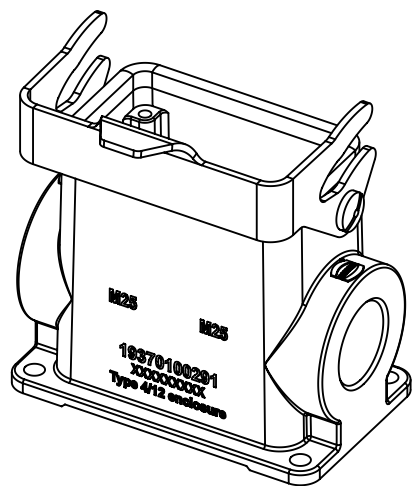
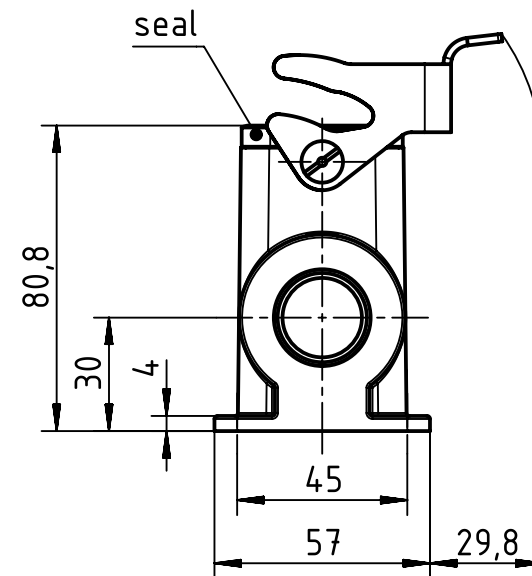
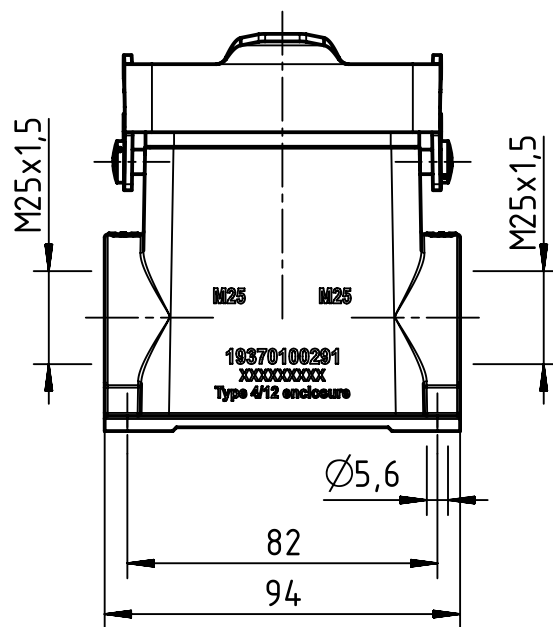
1 2 3 4 5 6


A

B

C

D



|   |   |  |                          |                           |  |                        |
|---|---|--|--------------------------|---------------------------|--|------------------------|
|  | All rights reserved<br>Department EL PD | All Dimensions in mm<br>Original Size DIN A4 |                          | Scale<br>1:2              | Free size tol.   | Ref.<br>Sub.           |
|   |   | Created by<br>SPRENB                         | Inspected by<br>GERB     | Standardisation<br>GARSKE | Date<br>2019-12-04                                       | State<br>Final Release |
| HARTING Electric GmbH & Co. KG<br>D-32339 Espelkamp                                 |   | Title<br>Han 10M-asg2-LB-M25                 |                          |                           | Doc-Key / ECM-Nr.<br>100192090/UGD/004/D<br>500000161045 |                        |
|   |   | Type<br>TB                                   | Number<br>19 37 010 0291 |                           | Rev.<br>D  | Page<br>1/1            |