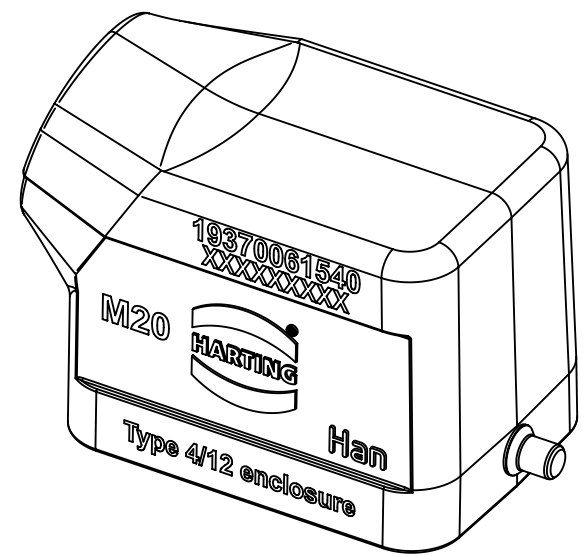
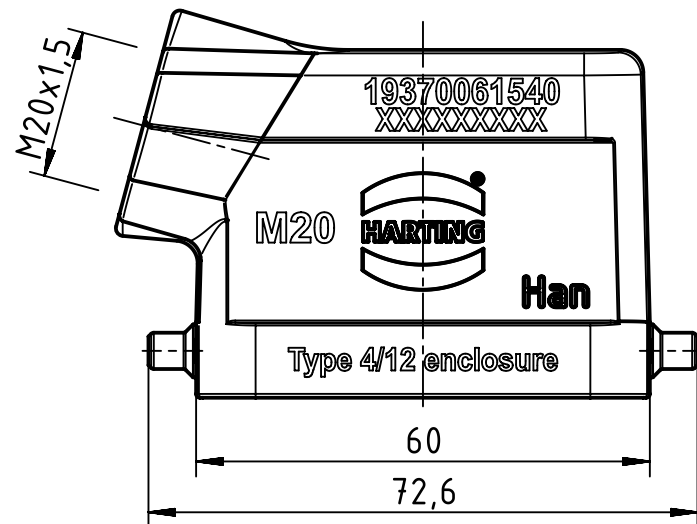
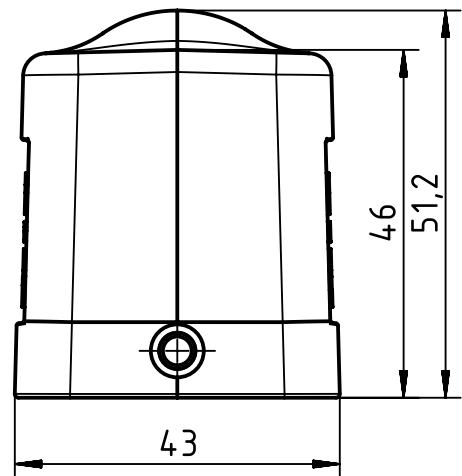


A

B

C

D



	All Dimensions in mm Original Size DIN A4		Scale 1:1	Free size tol.		Ref.	
						Sub.	
	All rights reserved	Created by SPRENB	Inspected by GERB	Standardisation GARSKE	Date 2019-12-06	State Final Release	
	Department EL PD	Title Han M Hood Side Entry LC 2 Pegs M20				Doc-Key / ECM-Nr. 100178830/UGD/004/E 500000161963	
HARTING Electric GmbH & Co. KG D-32339 Espelkamp		Type TB	Number 19 37 006 1540			Rev. E	Page 1/1