

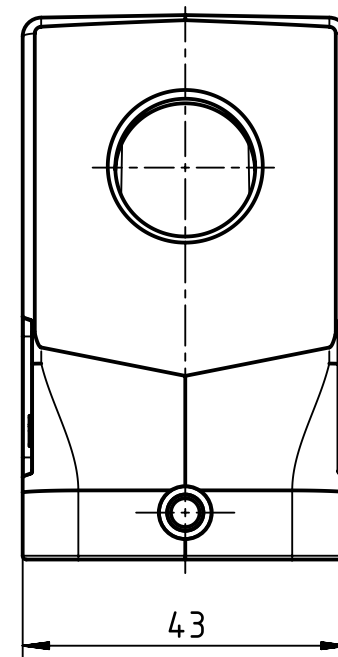
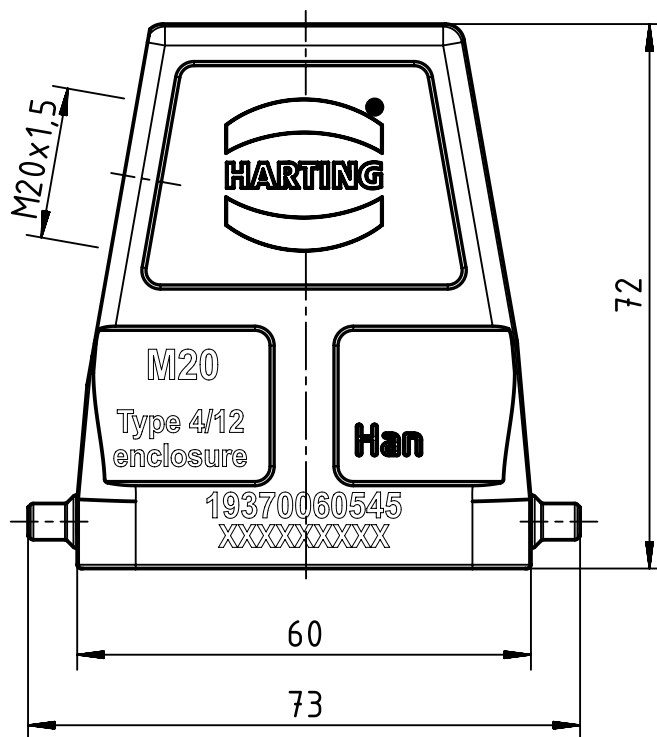
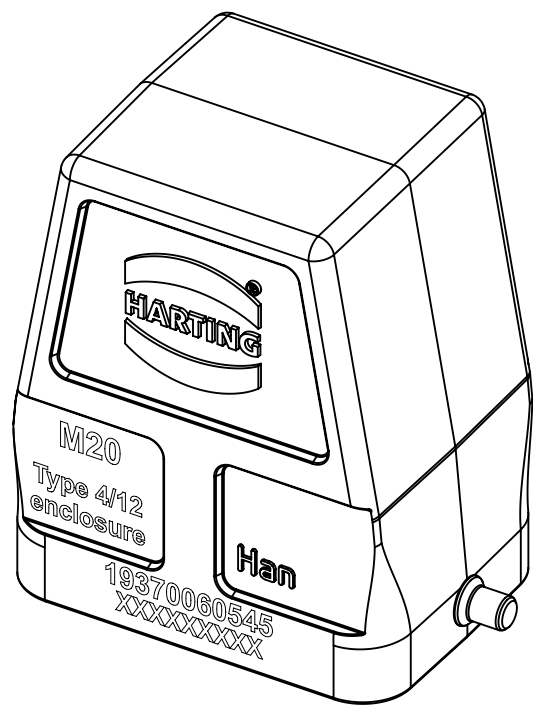
1 2 3 4 5 6

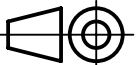

A

B

C

D



	All Dimensions in mm Original Size DIN A4		Scale 1:1	Free size tol.		Ref.		
						Sub.		
	All rights reserved		Created by SPRENB	Inspected by GERB	Standardisation TIEMANNA	Date 2018-12-05	State Final Release	
	Department EL PD		Title Han 6M-gs-M20				Doc-Key / ECM-Nr. 100125963/UGD/005/E 500000143686	
HARTING Electric GmbH & Co. KG D-32339 Espelkamp			Type TB	Number 19 37 006 0545			Rev. E	Page 1/1