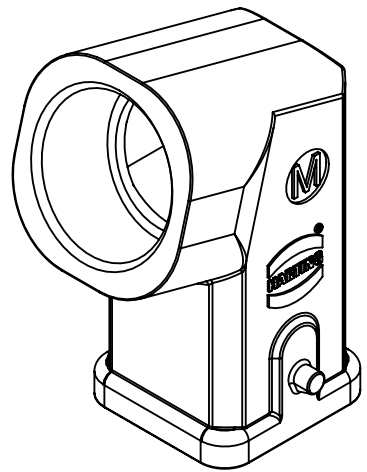
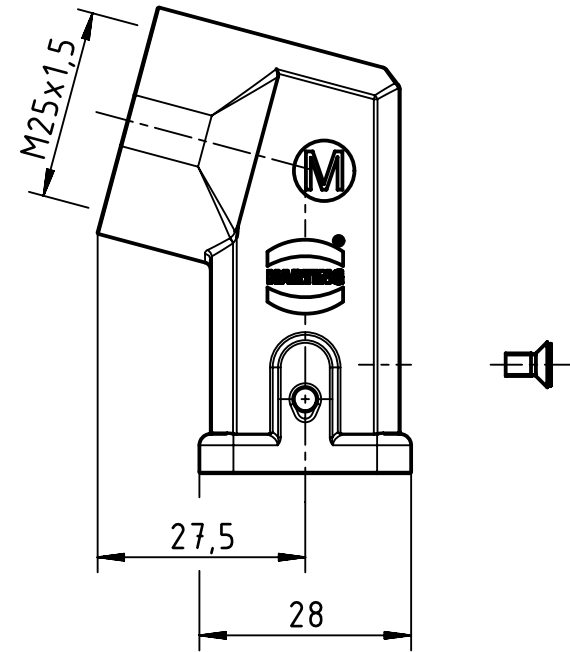
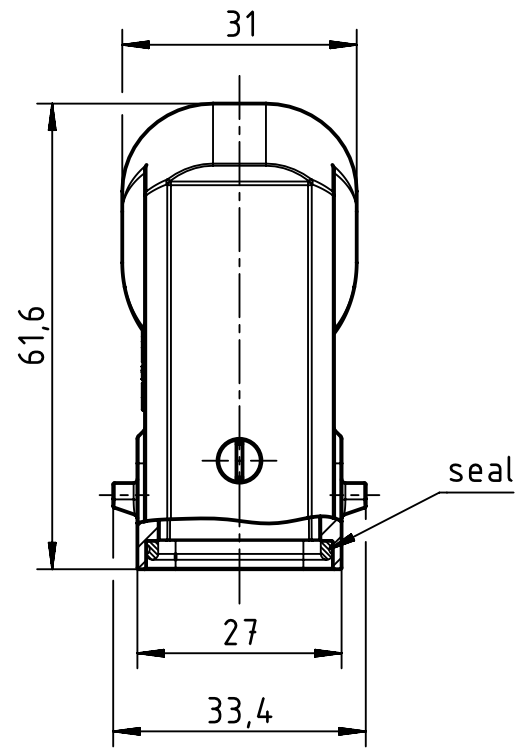


1 2 3 4 5 6

A
B
C
D



	All Dimensions in mm Original Size DIN A4		Scale 1:1	Free size tol.		Ref.		
						Sub.		
	All rights reserved		Created by ZENGD	Inspected by LUOK	Standardisation GARSKE	Date 2020-06-19	State Final Release	
	Department EL PD		Title Han 3M HA M25 - with seal				Doc-Key / ECM-Nr. 100899112/UGD/001/A 500000174832	
HARTING (Zhuhai) Manufacturing Co., Ltd. 519085 Zhuhai, China			Type TB	Number 19 37 003 1647			Rev. A	Page 1/1