

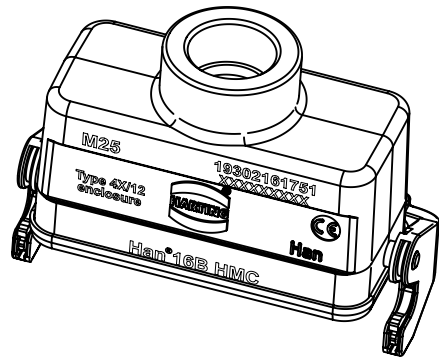
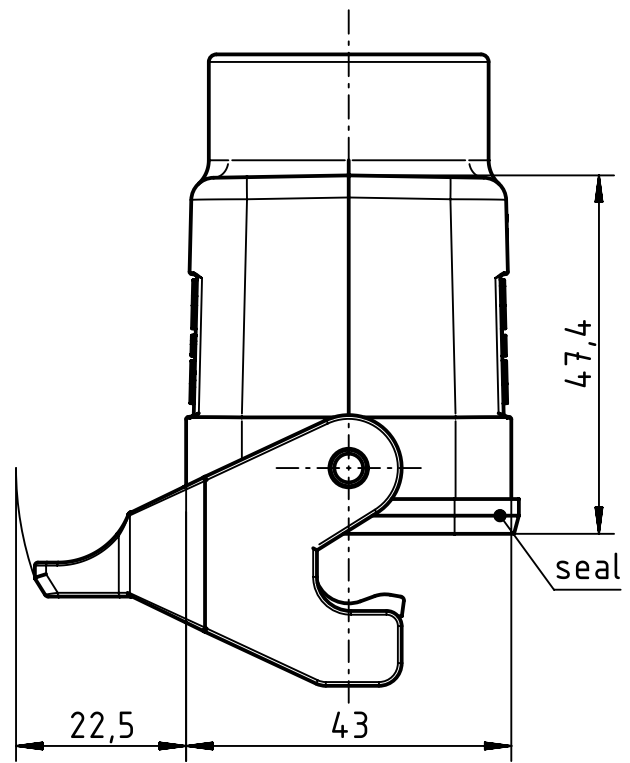
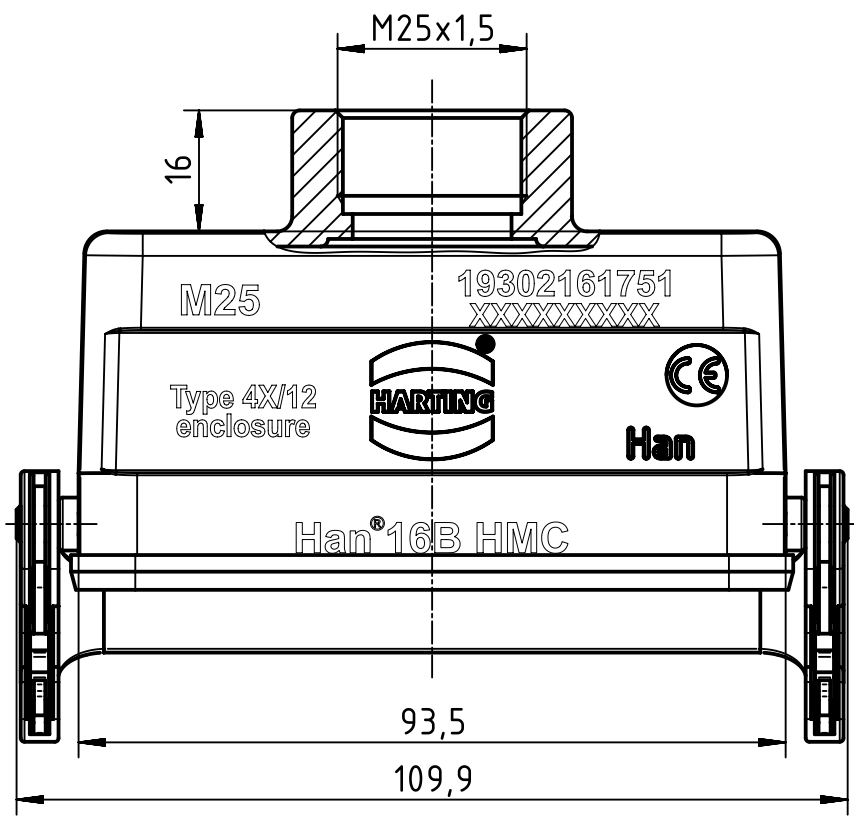
1 2 3 4 5 6

A

B

C

D



	All Dimensions in mm Original Size DIN A4		Scale 1:1	Free size tol.		Ref.		
						Sub.		
	All rights reserved		Created by HELLMANN	Inspected by GERB	Standardisation RUETERA	Date 2020-05-12	State Final Release	
	Department EL PD		Title Han 16B-HMC-LB-M25				Doc-Key / ECM-Nr. 100533694/UGD/002/E 500000171206	
HARTING Electric GmbH & Co. KG D-32339 Espelkamp			Type TB	Number 19 30 216 1751			Rev. E	Page 1/1