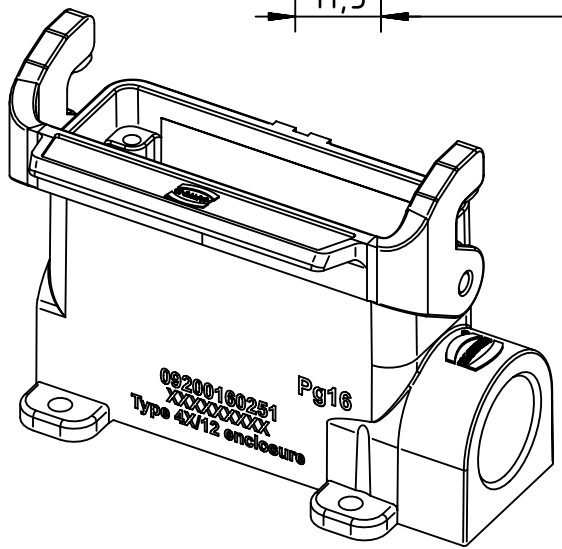
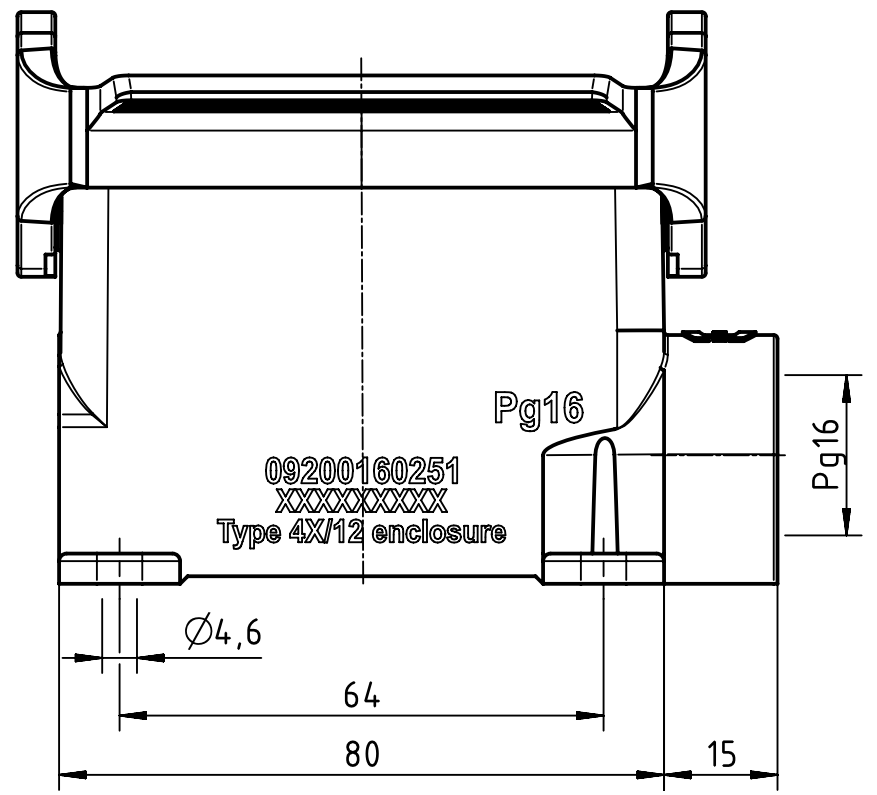
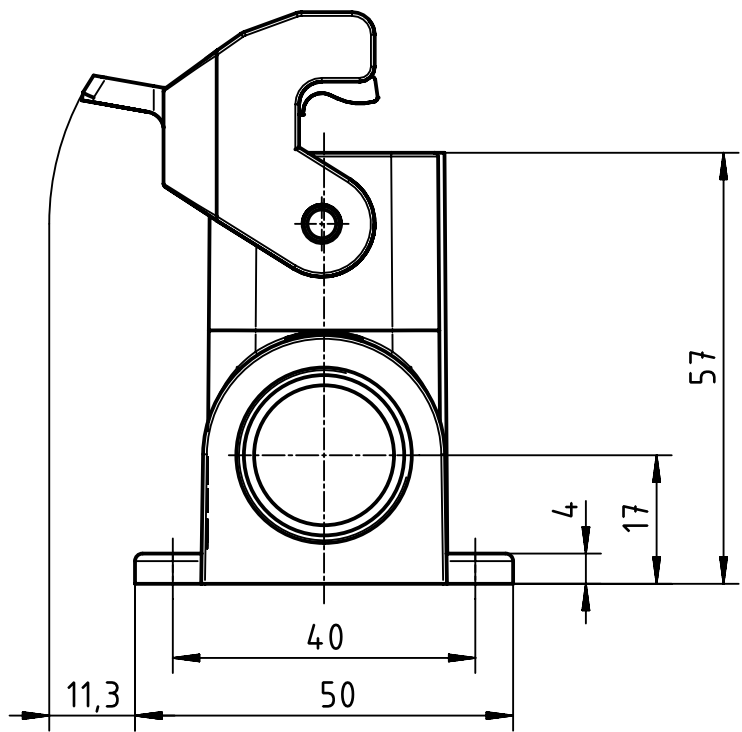


1 2 3 4 5 6

A  
B  
C  
D



	All Dimensions in mm Original Size DIN A4		Scale 1:1	Free size tol.		Ref.		
						Sub.		
	All rights reserved		Created by HELLMANN	Inspected by GERB	Standardisation GARSKE	Date 2019-12-04	State Final Release	
	Department EL PD		Title Han 16 A-asg1-LB-16				Doc-Key / ECM-Nr. 100186494/UGD/004/D 500000160754	
HARTING Electric GmbH & Co. KG D-32339 Espelkamp			Type TB	Number 09 20 016 0251			Rev. D	Page 1/1