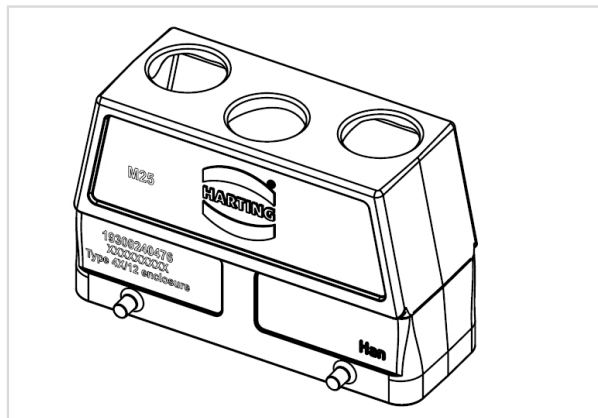



Product Declaration Certificate



| | |
|---------------|-----------------|
| Part number | 19 30 024 0476 |
| Specification | Han 24B-gg3-M25 |

| | |
|--------------------------------------|---|
| RoHS | compliant |
| ELV status | compliant |
| China RoHS |  |
| REACH Annex XVII substances | Not contained |
| REACH ANNEX XIV substances | Not contained |
| REACH SVHC substances | Not contained |
| California Proposition 65 substances | Yes |

RoHS: Directive 2011/65/EU with all amending directives and regulations in force at the declaration's creation date.

ELV status: Directive 2000/53/EC with all amending directives and regulations in force at the declaration's creation date.

REACH ANNEX: Regulation (EU) No. 1907/2006 with all amending directives and regulations in force at the declaration's creation date.

REACH SVHC substances: We applied "Candidate List of substances of very high concern for Authorisation" of ECHA valid on the declaration's creation date.

ECHA SCIP: Article notification number in the SCIP Data base of the European Chemicals Agency (ECHA) according to Waste Frame Directive 2008/89/EC with amended directive 2018/851 in Article 9