

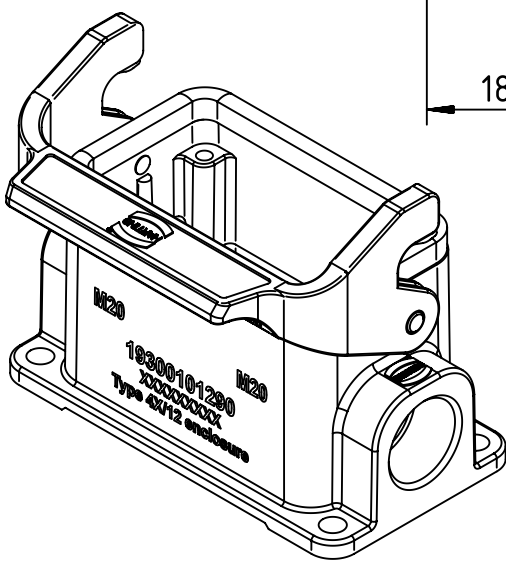
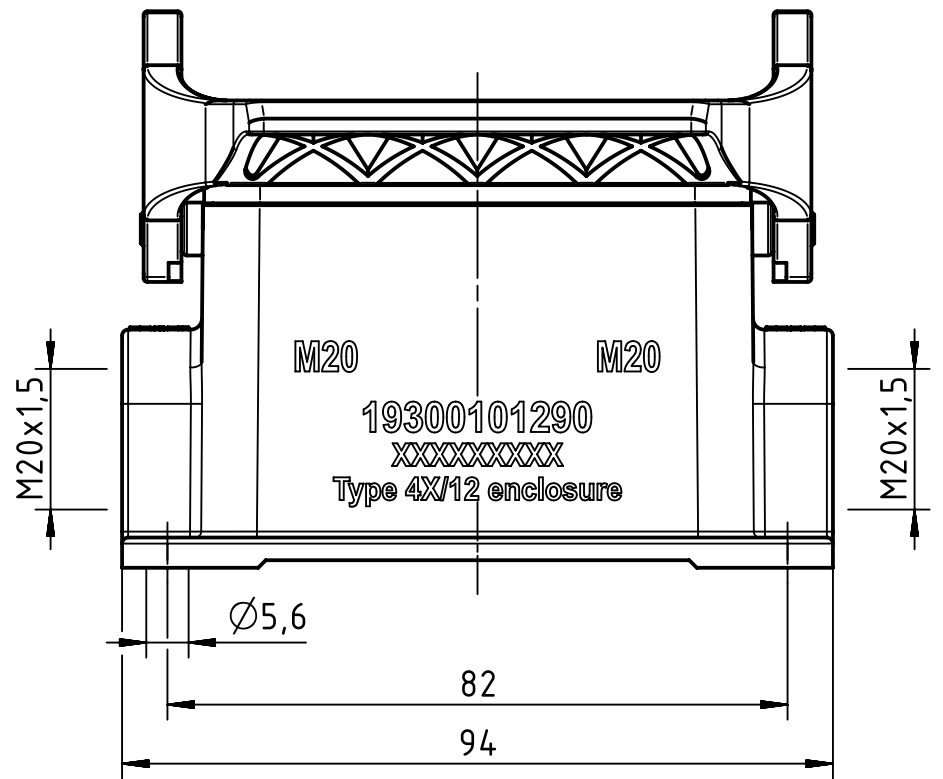
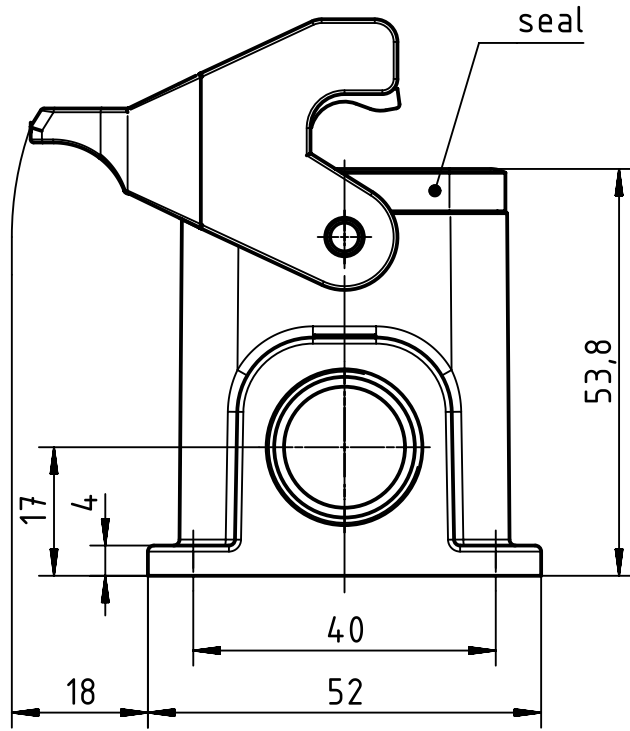
1 2 3 4 5 6


A

B

C

D



	All Dimensions in mm Original Size DIN A4		Scale 1:1		Free size tol.		Ref.			
	All rights reserved Department EL PD		Created by HELLMANN		Inspected by GERB		Standardisation GARSKE			
HARTING Electric GmbH & Co. KG D-32339 Espelkamp		Title Han B Base SM LC 1 lever 2 x M20					Date 2019-12-09		State Final Release	
		Type TB					Number 19 30 010 1290		Doc-Key / ECM-Nr. 100176103/UGD/004/C 500000161641	
							Rev. C		Page 1/1	