

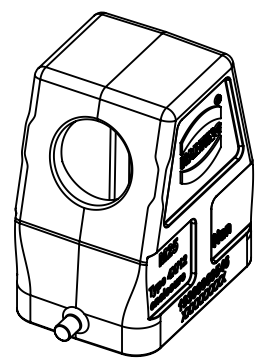
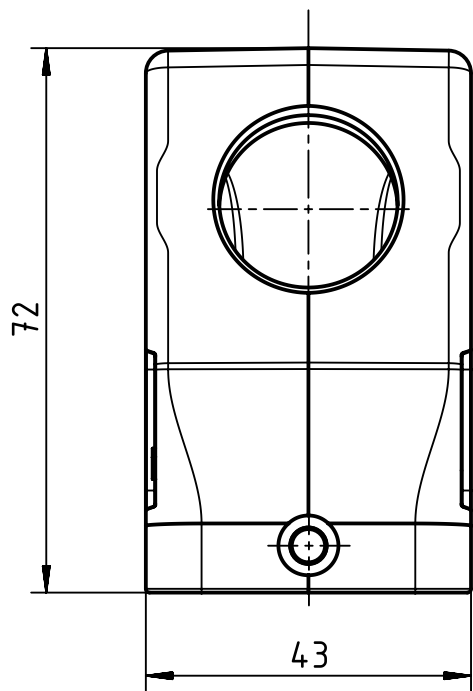
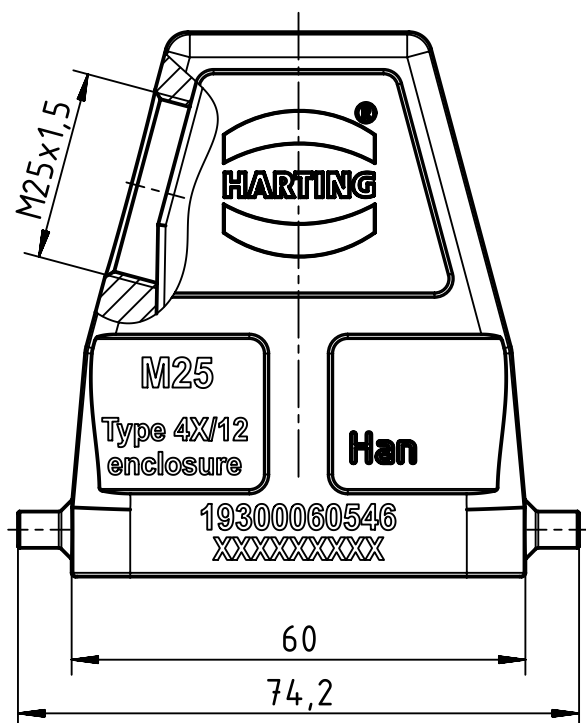
1 2 3 4 5 6

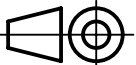

A

B

C

D



	All Dimensions in mm Original Size DIN A4		Scale 1:1	Free size tol.		Ref. Sub. TB 19 30 006 0546 v. 19.02.09			
		All rights reserved Department EL PD		Created by RULLKOETTER	Inspected by BERGHORN	Standardisation TIEMANNA	Date 2016-10-14	State Final Release	
HARTING Electric GmbH & Co. KG D-32339 Espelkamp				Title Han B Hood Side Entry HC 2 Pegs M25			Doc-Key / ECM-Nr. 100204382/UGD/004/A 500000109725		
				Type TB	Number 19 30 006 0546			Rev. A	Page 1/1