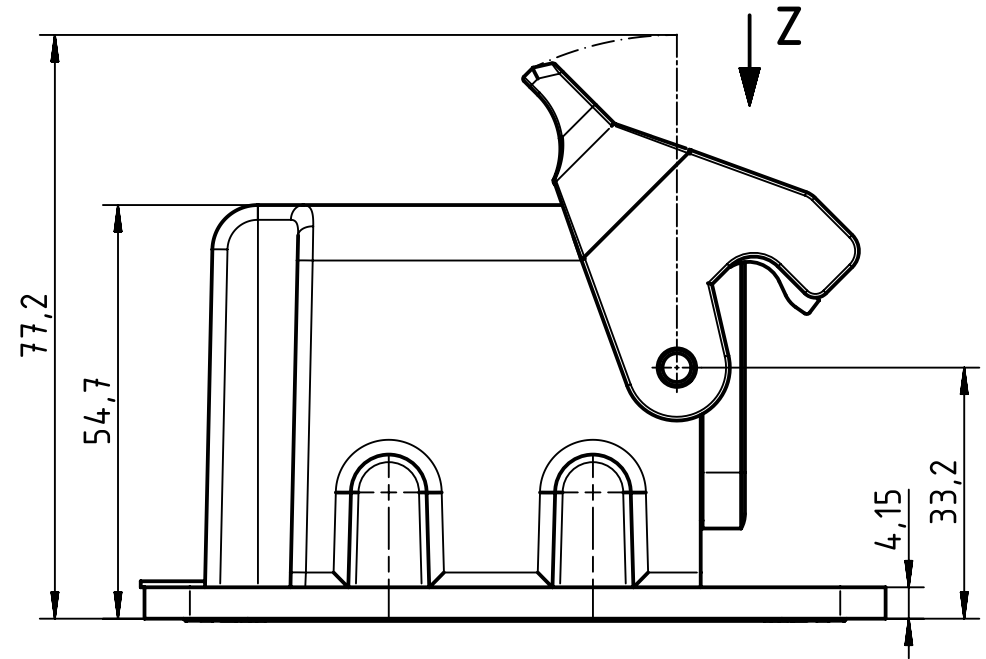
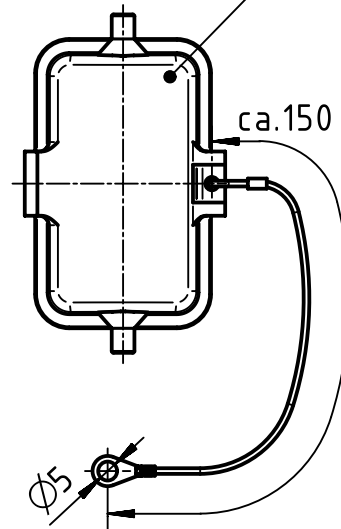
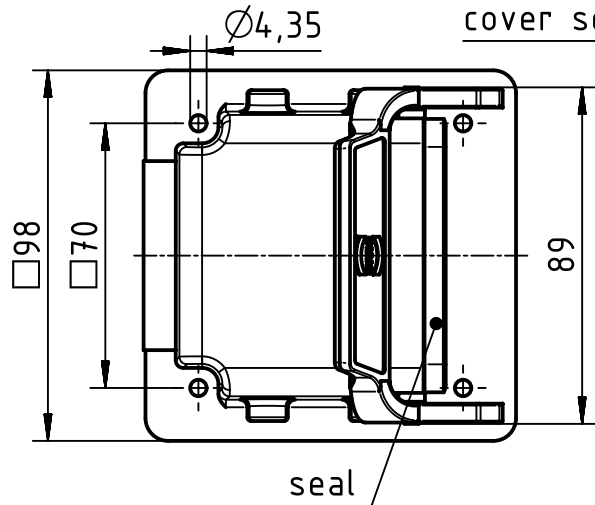
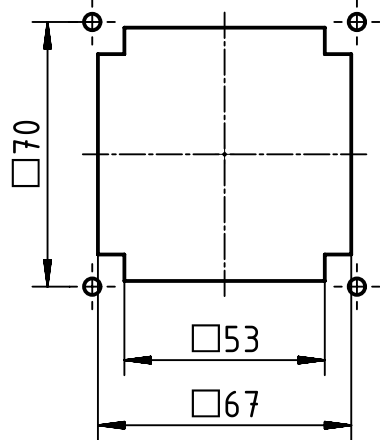


Z(1:2)


cover separately enclosed



panel cut out (1:2)



housing without coating

	All rights reserved Department EL PD - DE	All Dimensions in mm Original Size DIN A4		Scale 1:1	Free size tol.	Ref.	
		Created by FINKEV	Inspected by BERGHORN	Standardisation RUETERA	Date 2017-11-17	State Final Release	
HARTING Electric GmbH & Co. KG D-32339 Espelkamp		Title Terminal housing f. motor Han 10B 1 leve				Doc-Key / ECM-Nr. 100190051/UGD/004/B 500000127219	
		Type TB	Number 09 30 410 0960			Rev. B	Page 1/1