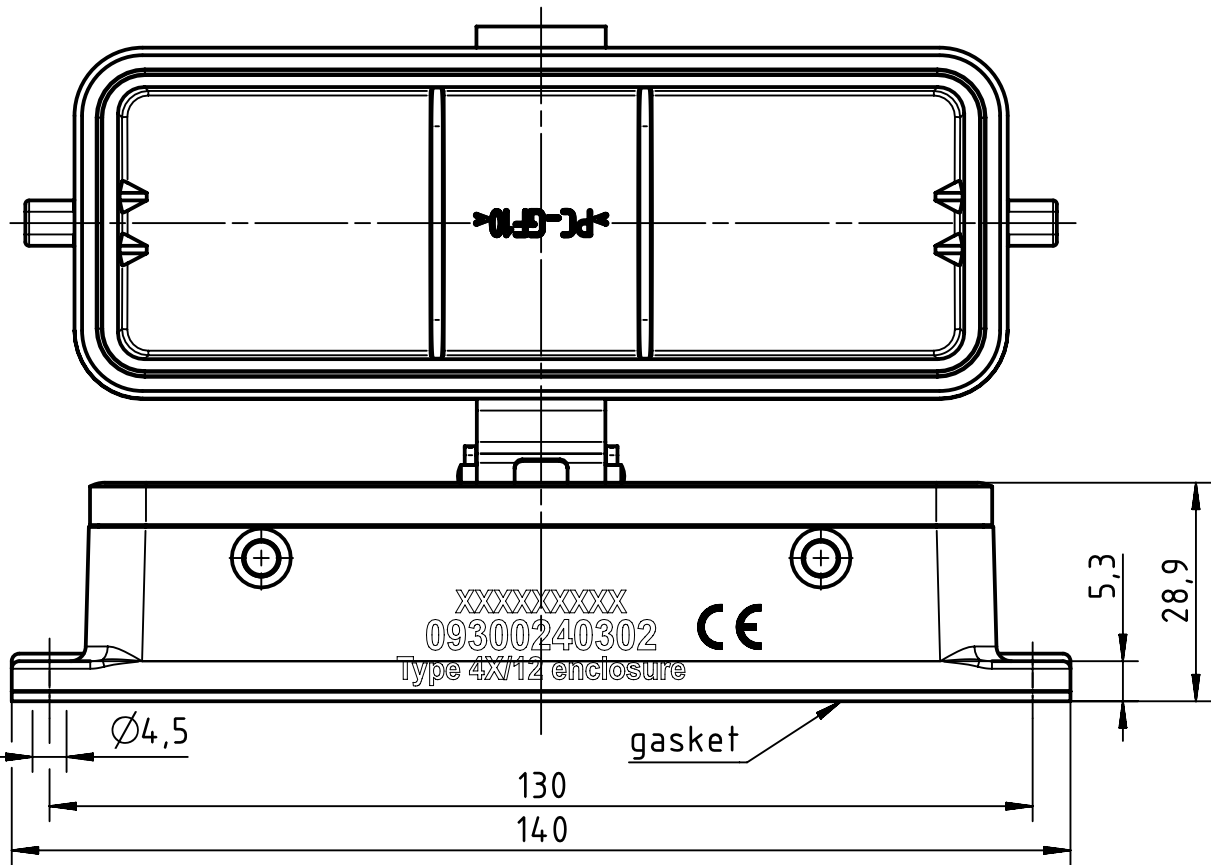
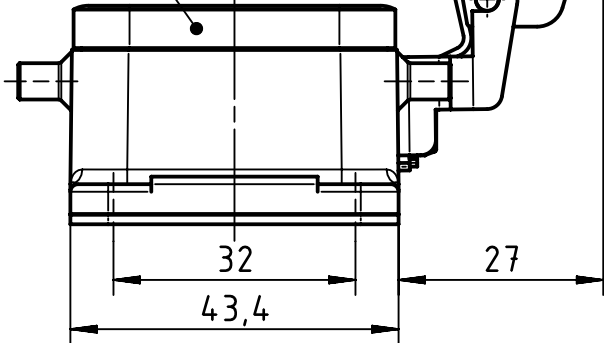
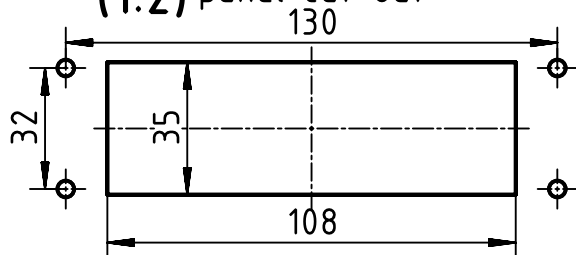



seal



(1:2) panel cut out



	All rights reserved Department EL PD HARTING Electric GmbH & Co. KG D-32339 Espelkamp	All Dimensions in mm Original Size DIN A4		Scale 1:1	Free size tol.	Ref. Sub.
		Created by OLFERTM	Inspected by SUNDERMEIER	Standardisation RUETERA	Date 2020-07-31	State Final Release
Title Han B Base Panel 4 Pegs Thermoplastic Co					Doc-Key / ECM-Nr. 100198843/UGD/004/C 500000177178	
Type TB				Number 09 30 024 0302		Rev. C
						Page 1/1