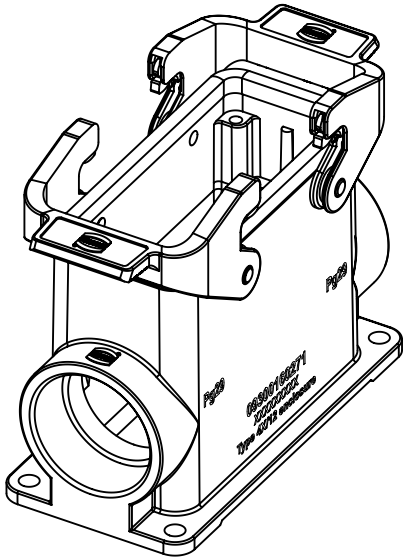


09300160271
xxxxxxx
Type 4X/12 enclosure



	All Dimensions in mm Original Size DIN A4		Scale 1:2	Free size tol.		Ref.
			Created by SPRENB	Inspected by GERB	Standardisation GARSKE	Sub.
All rights reserved Department EL PD		HARTING Electric GmbH & Co. KG D-32339 Espelkamp		Title Han B Base Surface HC 2 Levers 2 Entries		Date 2020-01-07 State Final Release
		Type TB Number 09 30 016 0271				Doc-Key / ECM-Nr. 100209877/UGD/004/C 500000162090 Rev. C Page 1/1